



ATTACHED PATIO COVER SHOP DRAWINGS BY FENWALL

NOTES:

1. ALL DIMENSIONS SHOWN SHALL BE VERIFIED BY GC PRIOR TO FABRICATION.

MATERIAL / FINISH SCHEDULE					FASTENER SCHEDULE																	
MATERIAL	ALLOY / STD.	THK. / SIZE	FINISH	QTY.	#	DESCRIPTION	QTY.															
CANOPY	--	--	TBD		1	#10-16 x 3/4" HWH SDS #3 PT.																
--	--	--	--		2	#12-14 x 1" HWH SDS #3 PT.																
--	--	--	--		3	#10-16 PD MTH SDS #3 PT.																
--	--	--	--		4	3/32" ALUM. RIVET																
--	--	--	--		5	1/4"-14 x 1" PD PH SDS #3 PT.																
--	--	--	--		6	#8 x 1" PD PH SDS #3 PT.																
NOTE: POWDER COAT BY FENWALL.					7	3/8"-16 x 2" CS																
						(2) 3/8" x 3/4"OD FW																
						3/8" MED SPLIT LOCK WASHER																
					NOTE: POWDER COAT BY FENWALL.					8	3/8"-16 FN											
											1/2"-13 x 2" CS											
											(2) 1/2" x 1-1/2"OD FW											
										NOTE: POWDER COAT BY FENWALL.					9	1/2" MED SPLIT LOCK WASHER						
																1/2"-13 FN						
																1/2"-13 x 12" GALV. STL. BENT ANCHOR BOLT						
															NOTE: POWDER COAT BY FENWALL.					10	(2) 1/2" x 1-1/2" GALV. STL. FLAT WASHER	
																					(2) 1/2"-13 FINISH NUT	
																					1/2" GALV. STL. MEDIUM SPLIT LOCK WASHER	
NOTE: POWDER COAT BY FENWALL.																				10	1/2" x 4-1/4" SIMPSON STRONG-BOLT 2	
																				11	1/4" x 1" TAPCON	
																				12	1/4"-20 x 2-1/2" CLIMASEAL HWH SDS #4 PT.	

NOTE: ALL NUMBERED FASTENERS LISTED ARE SUPPLIED BY FENWALL. ALL LETTERED FASTENERS ARE BY OTHERS.

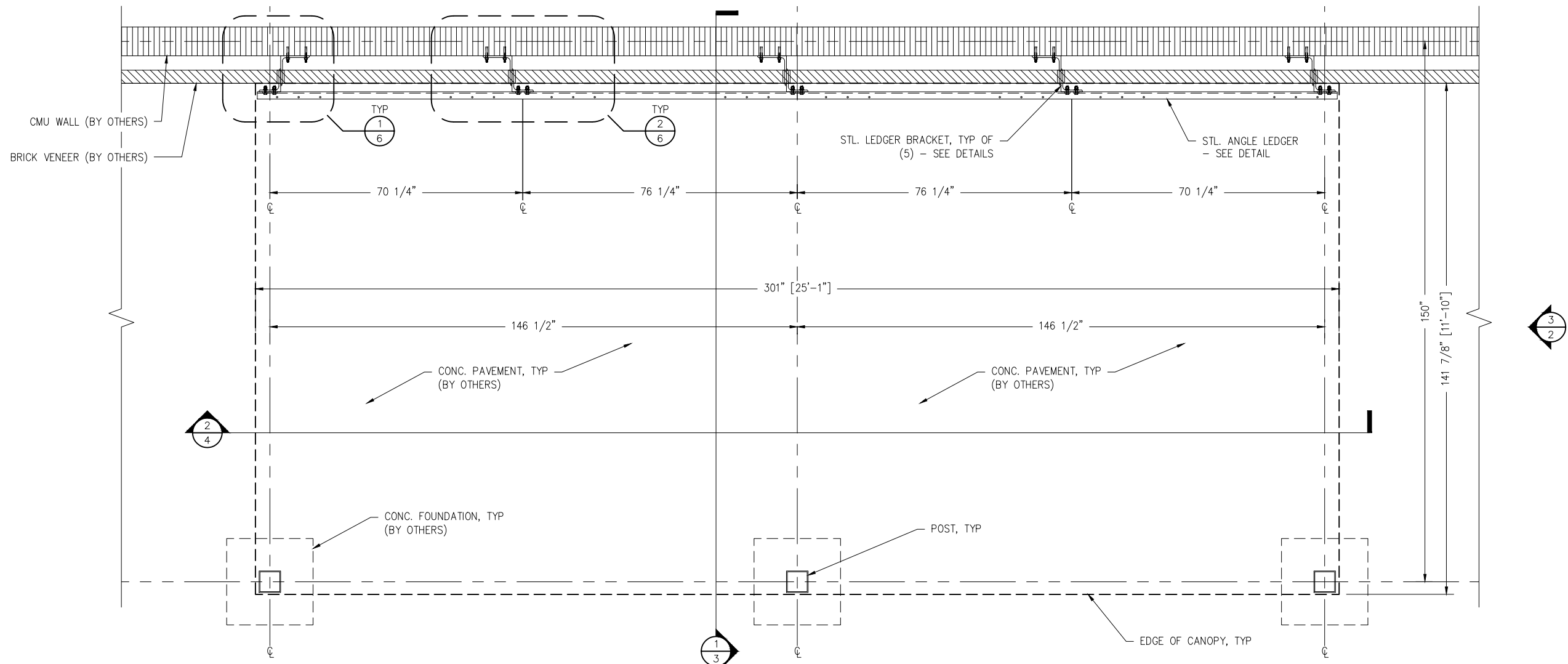
These shop drawings remain the property of FenWall and contain proprietary, competitive information which if released to any party other than the intended recipient, could cause an undetermined amount of harm to FenWall. Any reproduction and distribution of said drawings without the express written consent of FenWall is strictly prohibited. Any charge for shop drawings, paid or owed by the intended recipient to FenWall is considered a rental charge for the right to utilize said drawings in order to conduct business with FenWall.

ABBREVIATIONS

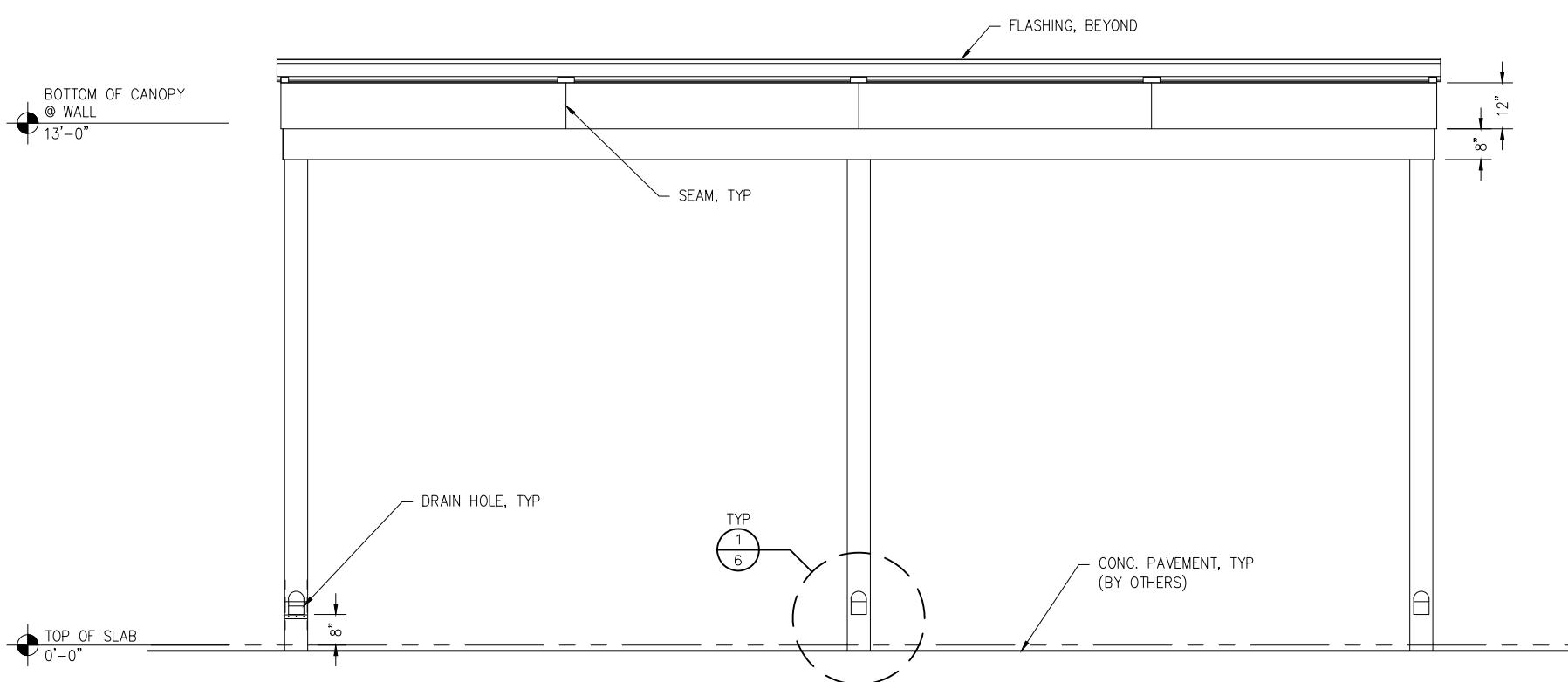
VIF = VERIFY IN FIELD	TYP = TYPICAL	FN = FINISHED NUT
FS = FRAME SIZE	UON = UNLESS OTHERWISE NOTED	FW = FLAT WASHER
DLO = DAY LIGHT OPENING	HWH = HEX WASHER HEAD	CS = CAP SCREW
DO = DOOR OPENING	SDS = SELF-DRILLING SCREW	MS = MACHINE SCREW
OA = OVERALL	PD = PHILLIPS DRIVE	SMS = SHEET METAL SCREW
RO = ROUGH OPENING	PT = POINT	TCS = THREAD CUTTING SCREW

Customer: FENWALL IN-HOUSE	Date: 02/18/2019	
Assembly: ATTACHED PATIO COVER	Date: ...	
Drawn By: JD	Revision: ...	Sheet: 1 OF 10
		Scale: NTS

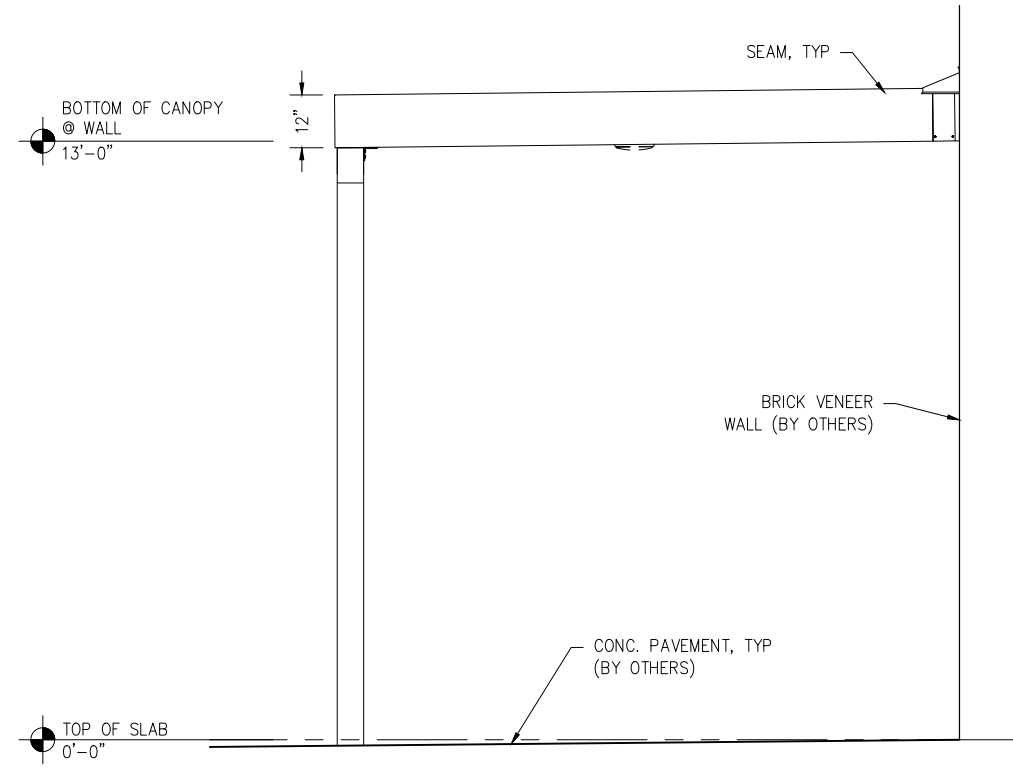
Architects & Designers: FenWall recommends this note appear in the plan, elevation, section & details of your drawings.
 All related materials provided by FenWall. No substitutions without written consent from Store Owner/Architect.



1 ATTACHED PATIO COVER
2 PLAN N.T.S.



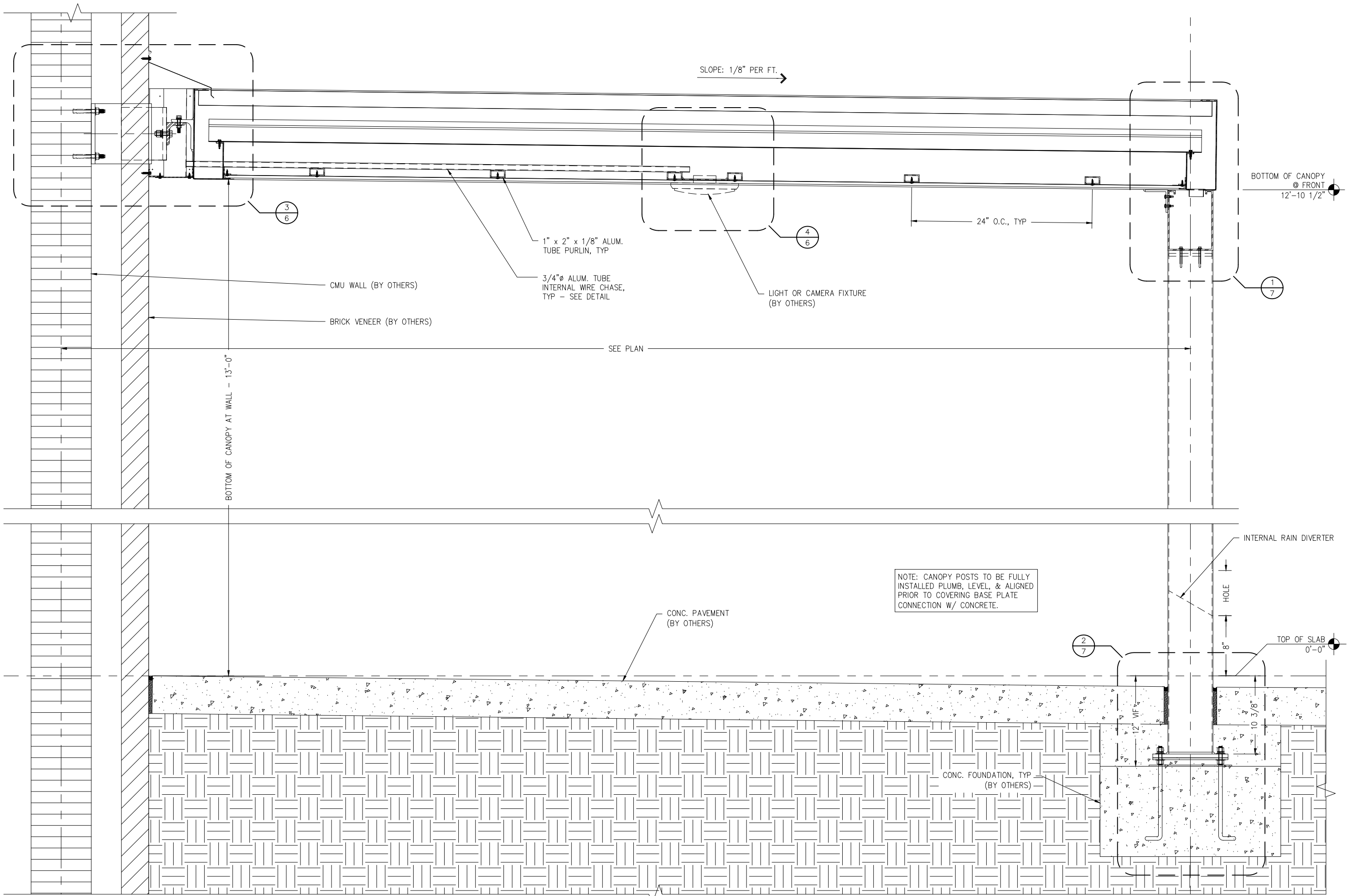
2 ATTACHED PATIO COVER
2 FRONT ELEVATION N.T.S.



3 ATTACHED PATIO COVER
2 TYPICAL SIDE ELEVATION N.T.S.

Customer: FENWALL IN-HOUSE	Date: 02/18/2019
Assembly: ATTACHED PATIO COVER	Date: ...
Drawn By: JD	Sheet: 2 OF 10
Revision: ...	Scale: NTS

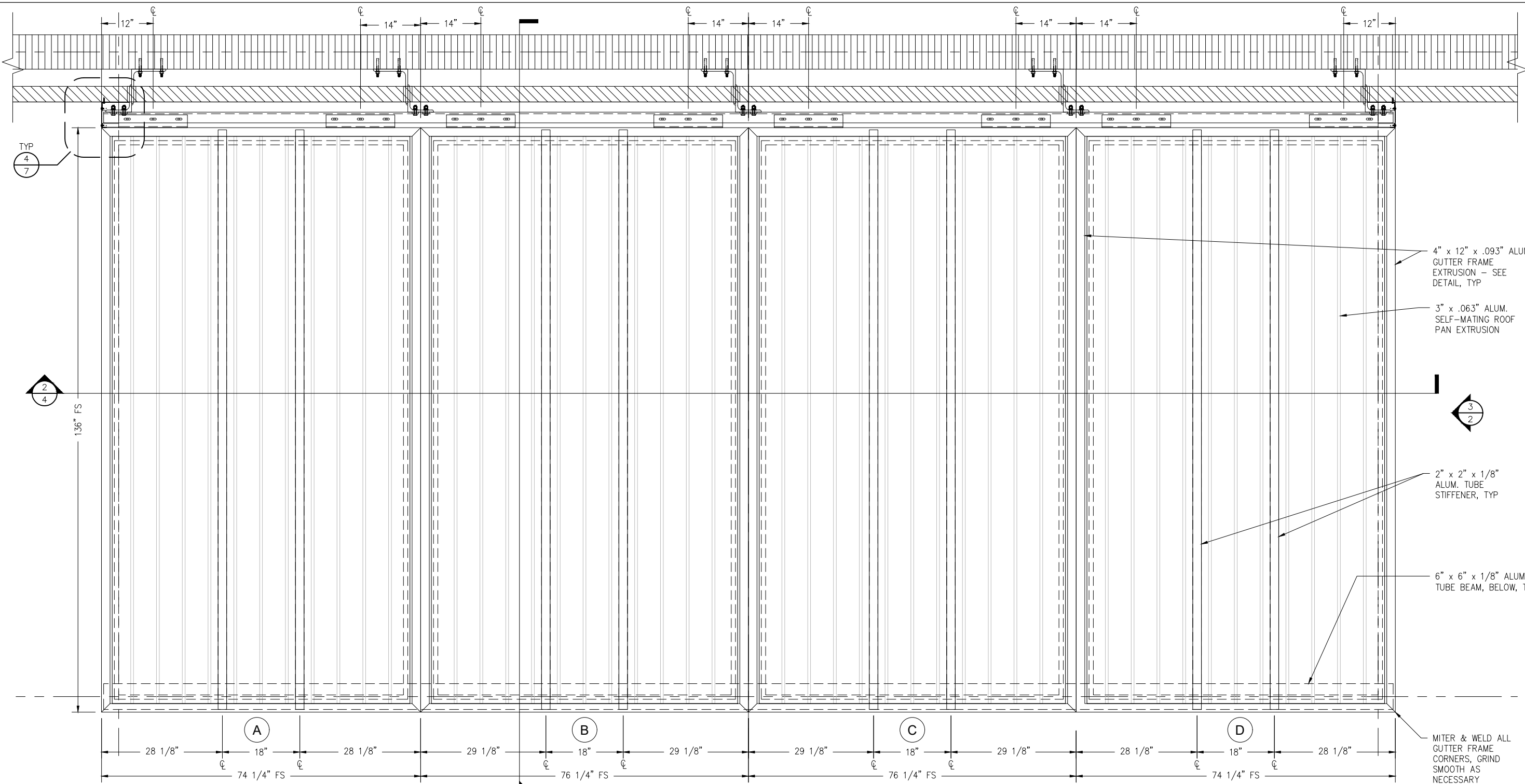
Architects & Designers: FenWall recommends this note appear in the plan, elevation, section & details of your drawings.
All related materials provided by FenWall. No substitutions without written consent from Store Owner/Architect.



1 ATTACHED PATIO COVER
 3 TRANSVERSE SECTION
 N.T.S.

Customer: FENWALL IN-HOUSE	
Assembly: ATTACHED PATIO COVER	
Drawn By: JD	Date: 02/18/2019
Revision: ...	Date: ...
Scale: NTS	Sheet: 3 OF 10

Architects & Designers: FenWall recommends this note appear in the plan, elevation, section & details of your drawings.
 All related materials provided by FenWall. No substitutions without written consent from Store Owner/Architect.



4" x 12" x .093" ALUM. GUTTER FRAME EXTRUSION - SEE DETAIL, TYP

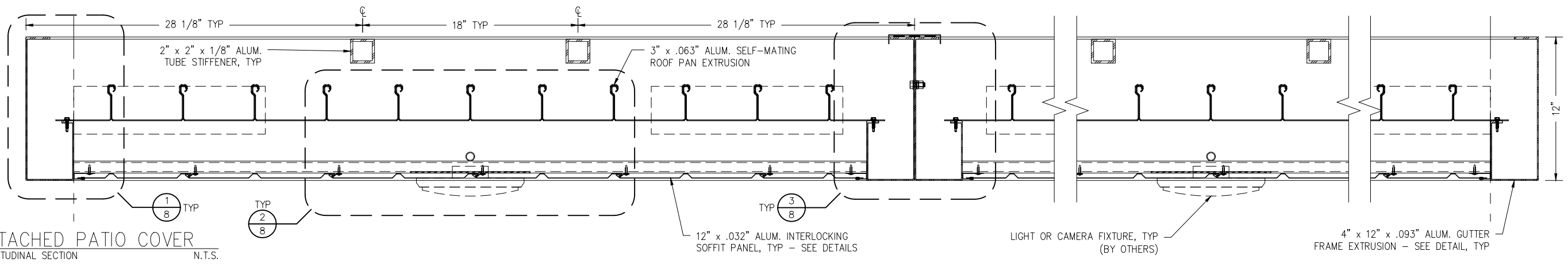
3" x .063" ALUM. SELF-MATING ROOF PAN EXTRUSION

2" x 2" x 1/8" ALUM. TUBE STIFFENER, TYP

6" x 6" x 1/8" ALUM. TUBE BEAM, BELOW, TYP

MITER & WELD ALL GUTTER FRAME CORNERS, GRIND SMOOTH AS NECESSARY

1
4 ATTACHED PATIO COVER
ROOF PLAN
N.T.S.



2
4 ATTACHED PATIO COVER
LONGITUDINAL SECTION
N.T.S.

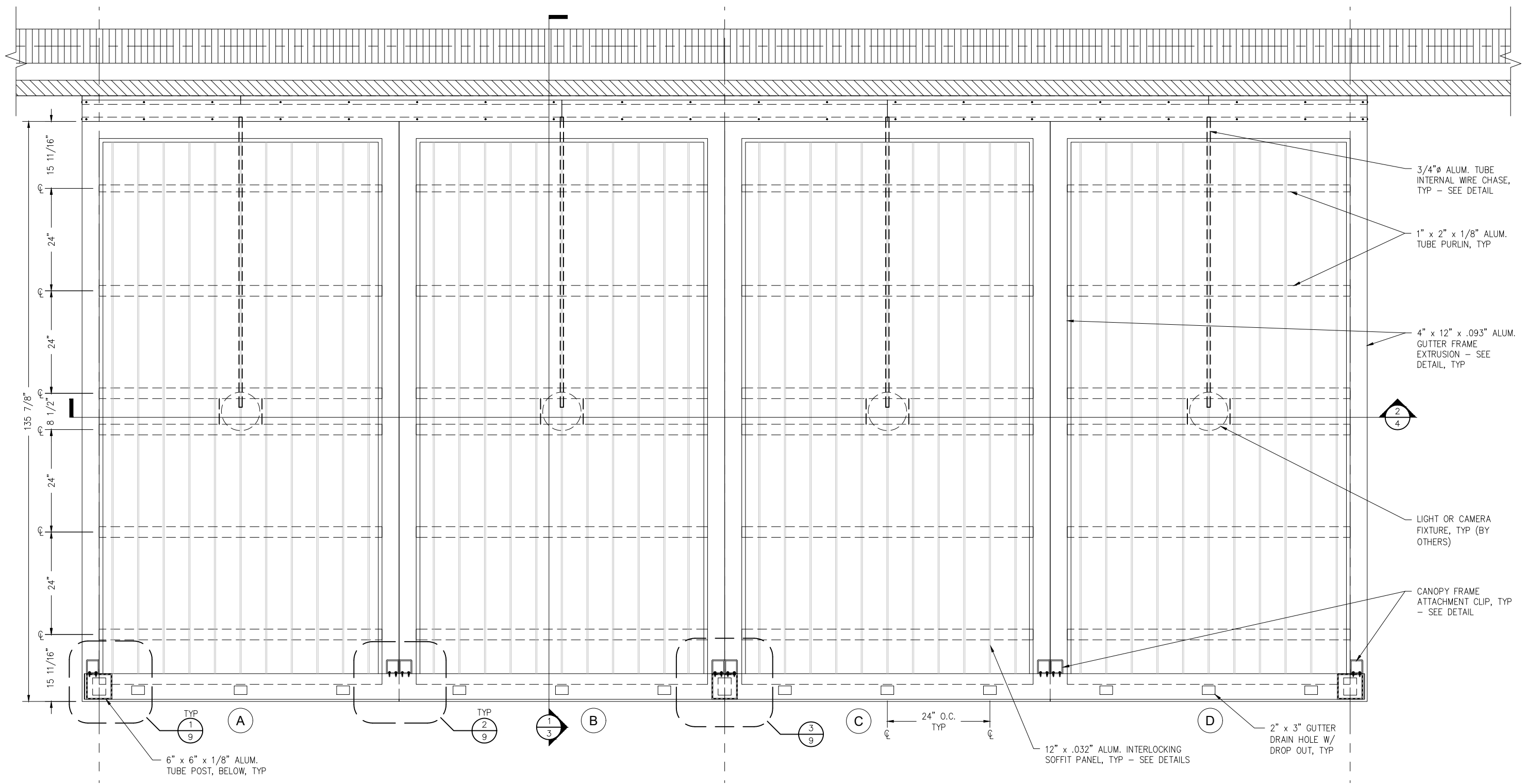
FenWall

FABRICATION & MANUFACTURING
13929 Lynnmar Blvd., Tampa, FL 33626
P: 813.343.5979 E: info@fenwalls.com www.fenwalls.com

Customer: FENWALL IN-HOUSE	
Assembly: ATTACHED PATIO COVER	
Drawn By: JD	Date: 02/18/2019
Revision: ...	Date: ...
Scale: NTS	Sheet: 4 OF 10

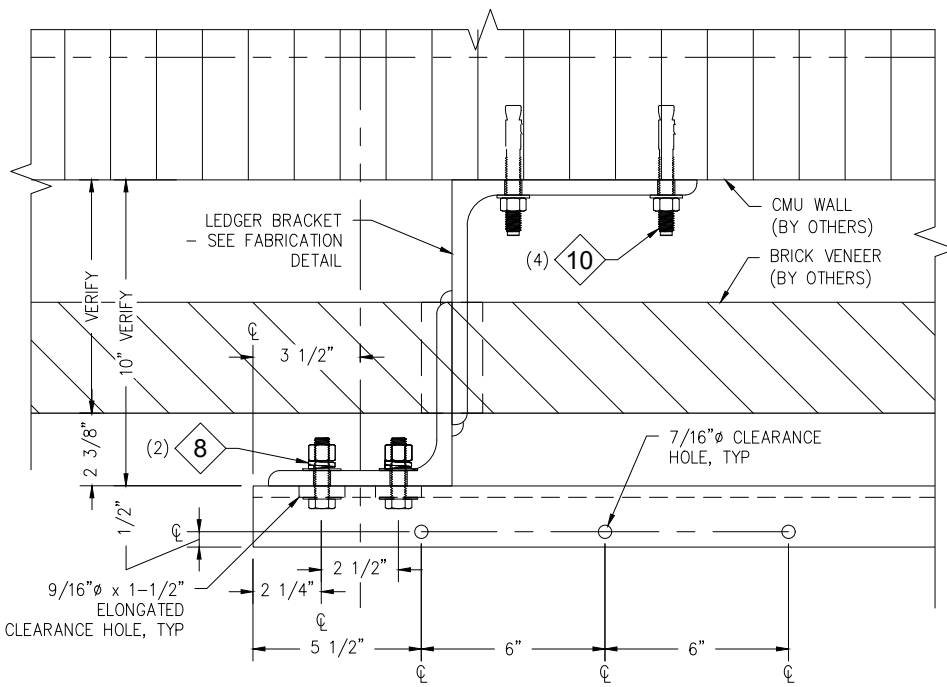
Architects & Designers: FenWall recommends this note appear in the plan, elevation, section & details of your drawings.

All related materials provided by FenWall. No substitutions without written consent from Store Owner/Architect.

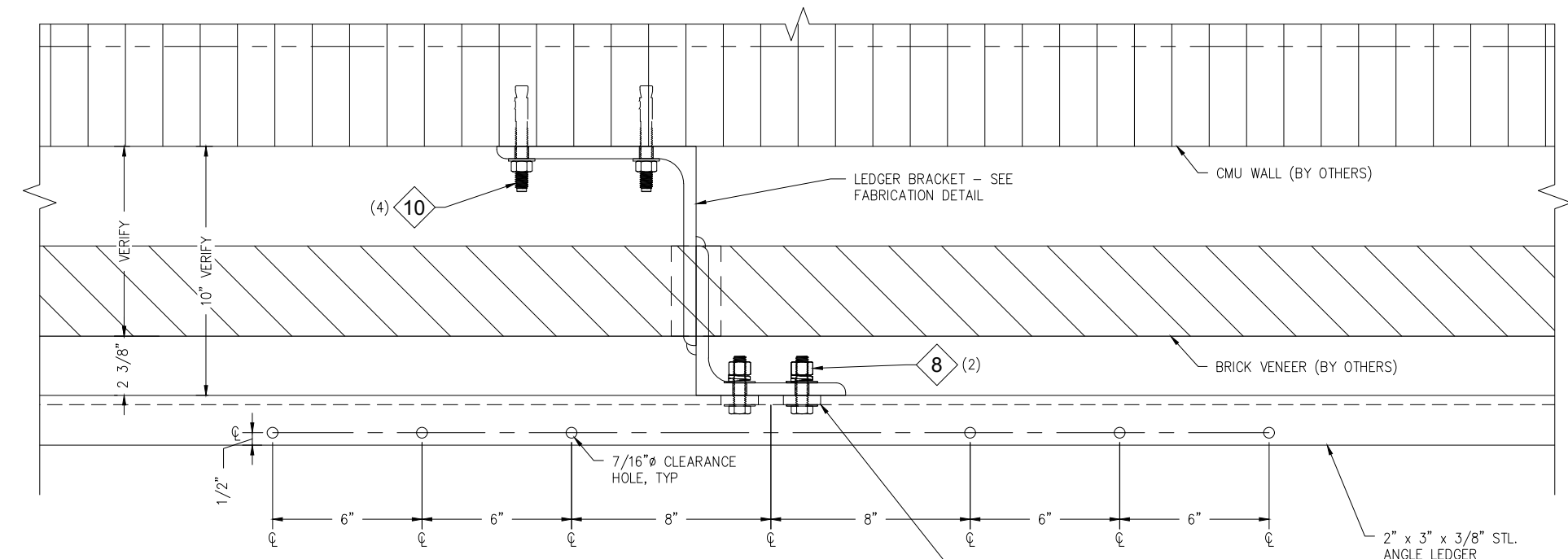


Customer: FENWALL IN-HOUSE	
Assembly: ATTACHED PATIO COVER	
Drawn By: JD	Date: 02/18/2019
Revision: ...	Date: ...
Scale: NTS	Sheet: 5 OF 10

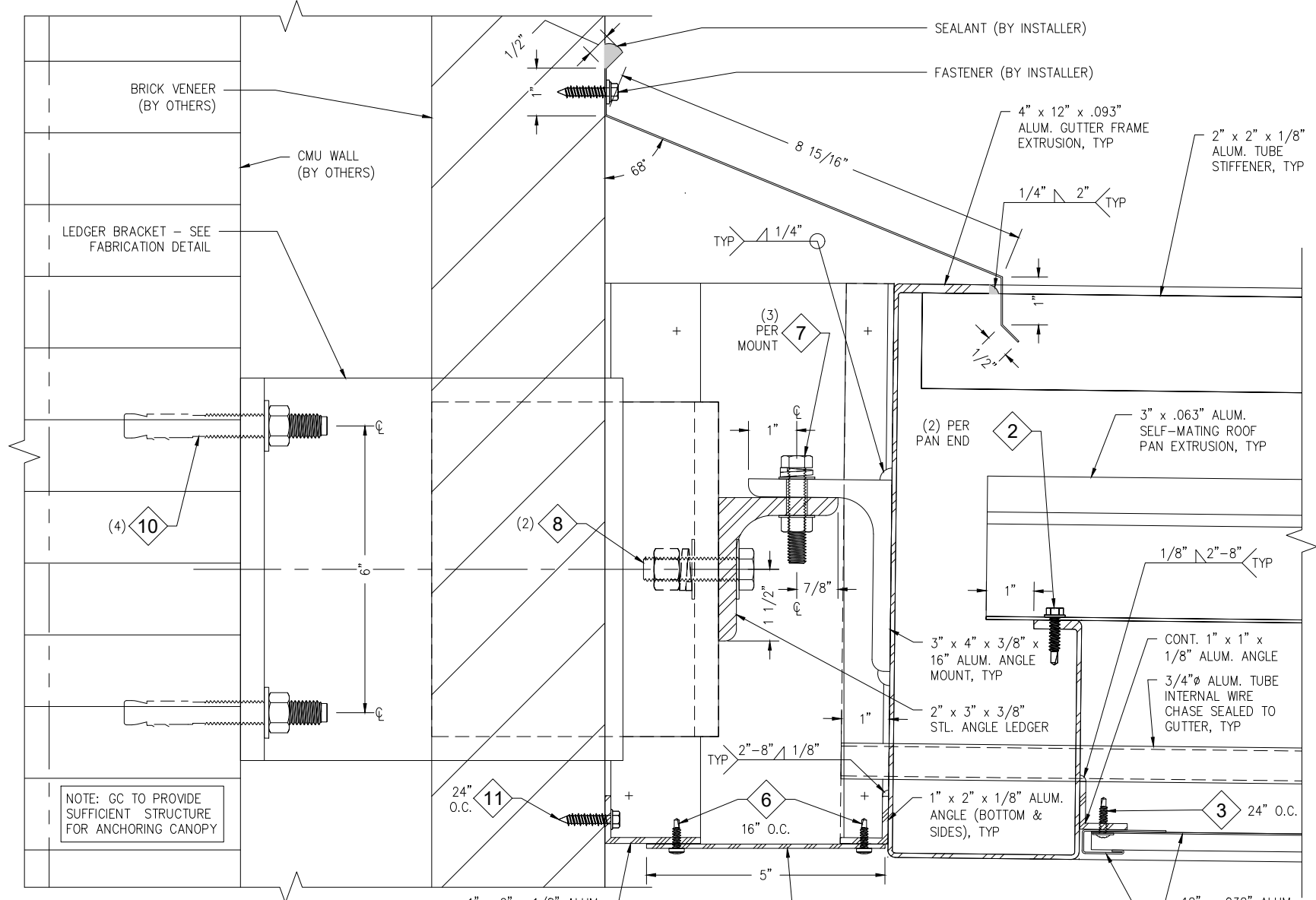
Architects & Designers: FenWall recommends this note appear in the plan, elevation, section & details of your drawings.
 All related materials provided by FenWall. No substitutions without written consent from Store Owner/Architect.



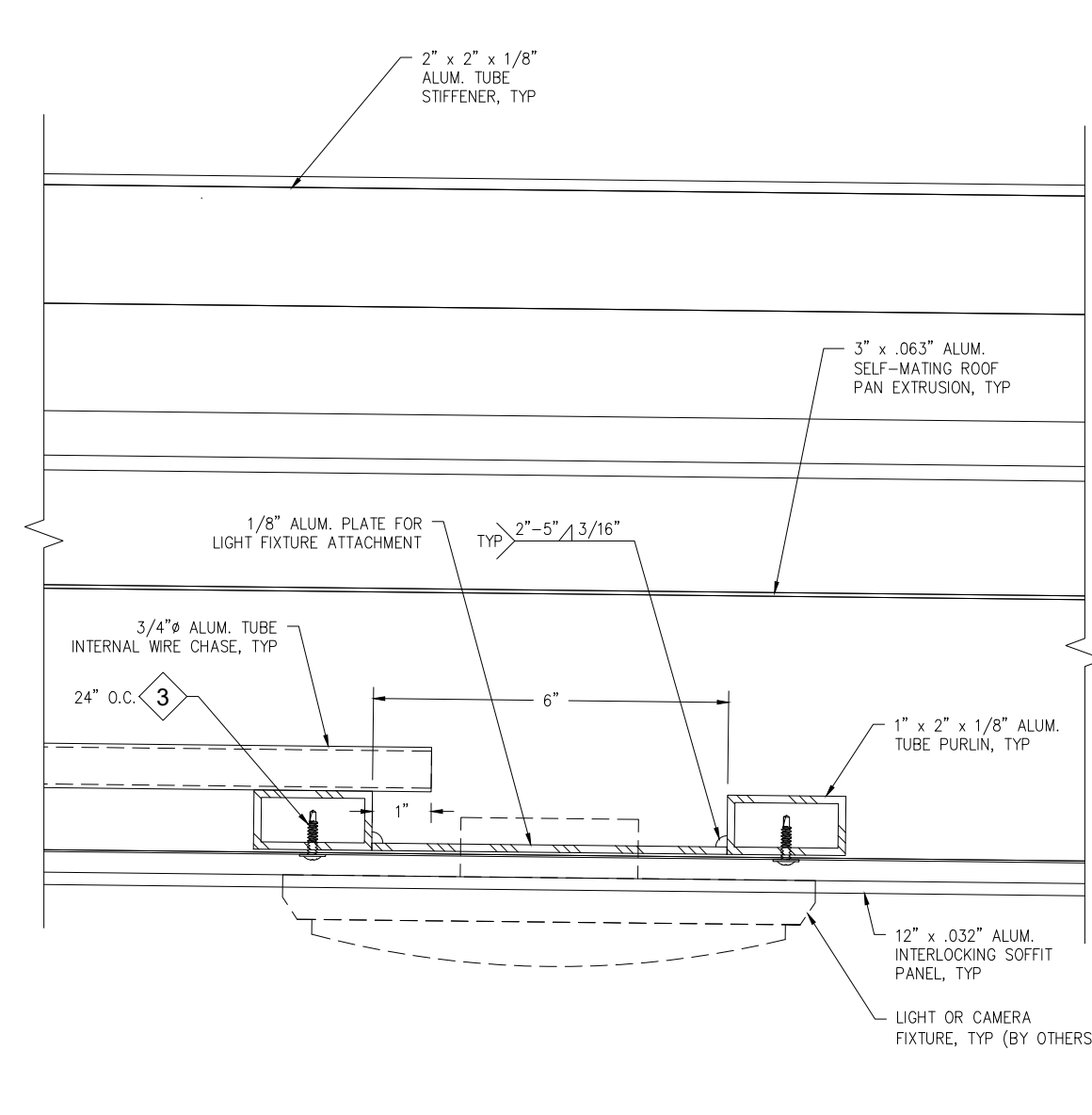
1
6 ATTACHED PATIO COVER DETAIL
 PLAN SECTION N.T.S.
 NOTE: GC TO PROVIDE SUFFICIENT STRUCTURE FOR ANCHORING CANOPY



2
6 ATTACHED PATIO COVER DETAIL
 PLAN SECTION N.T.S.
 NOTE: GC TO PROVIDE SUFFICIENT STRUCTURE FOR ANCHORING CANOPY



3
6 ATTACHED PATIO COVER
 REFLECTED PLAN N.T.S.
 NOTE: GC TO PROVIDE SUFFICIENT STRUCTURE FOR ANCHORING CANOPY



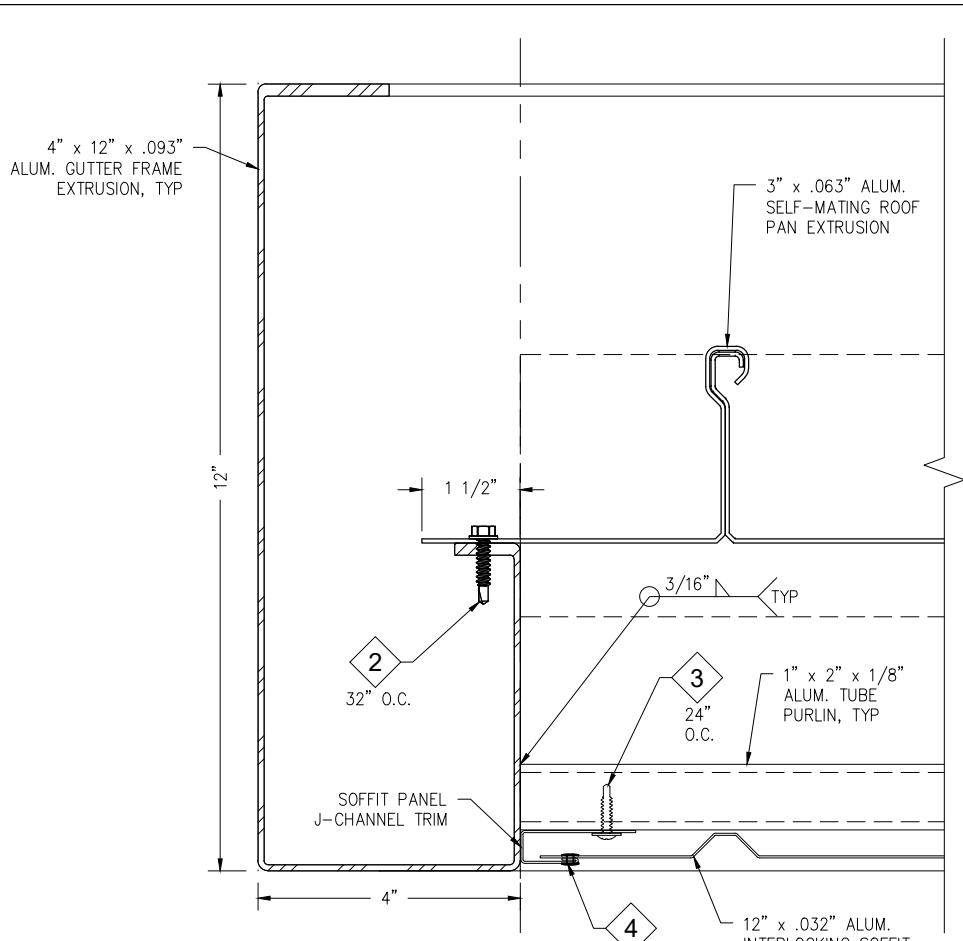
4
6 ATTACHED PATIO COVER
 REFLECTED PLAN N.T.S.

Customer: FENWALL IN-HOUSE
 Assembly: ATTACHED PATIO COVER
 Drawn By: JD
 Date: 02/18/2019
 Revision: ...
 Date: ...
 Scale: NTS
 Sheet: 6 OF 10

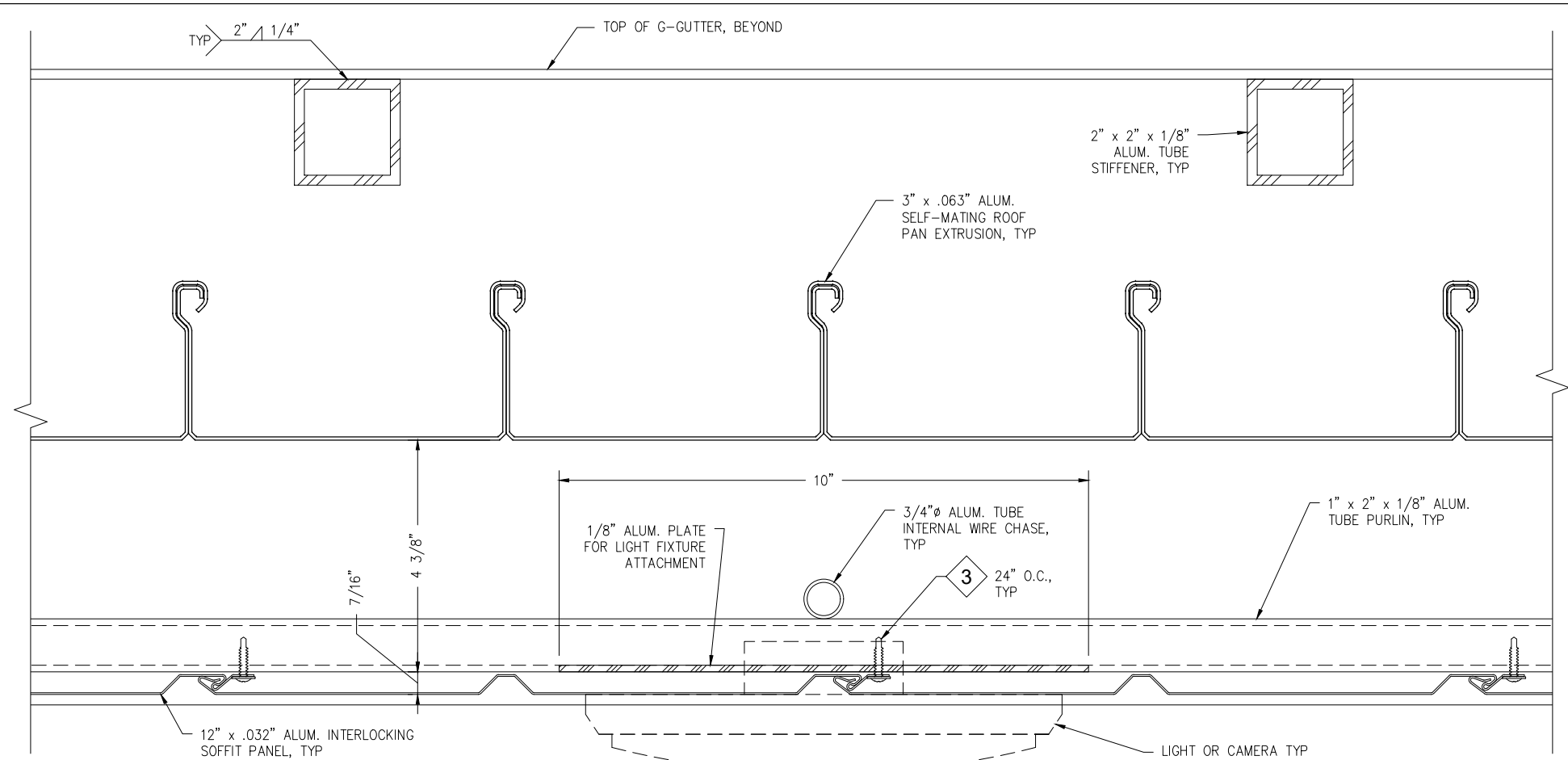
Architects & Designers: FenWall recommends this note appear in the plan, elevation, section & details of your drawings.
 All related materials provided by FenWall. No substitutions without written consent from Store Owner/Architect.

Customer: FENWALL IN-HOUSE	Date: 02/18/2019
Assembly: ATTACHED PATIO COVER	Date: ...
Drawn By: JD	Sheet: 8 OF 10
Revision: ...	
Scale: NTS	

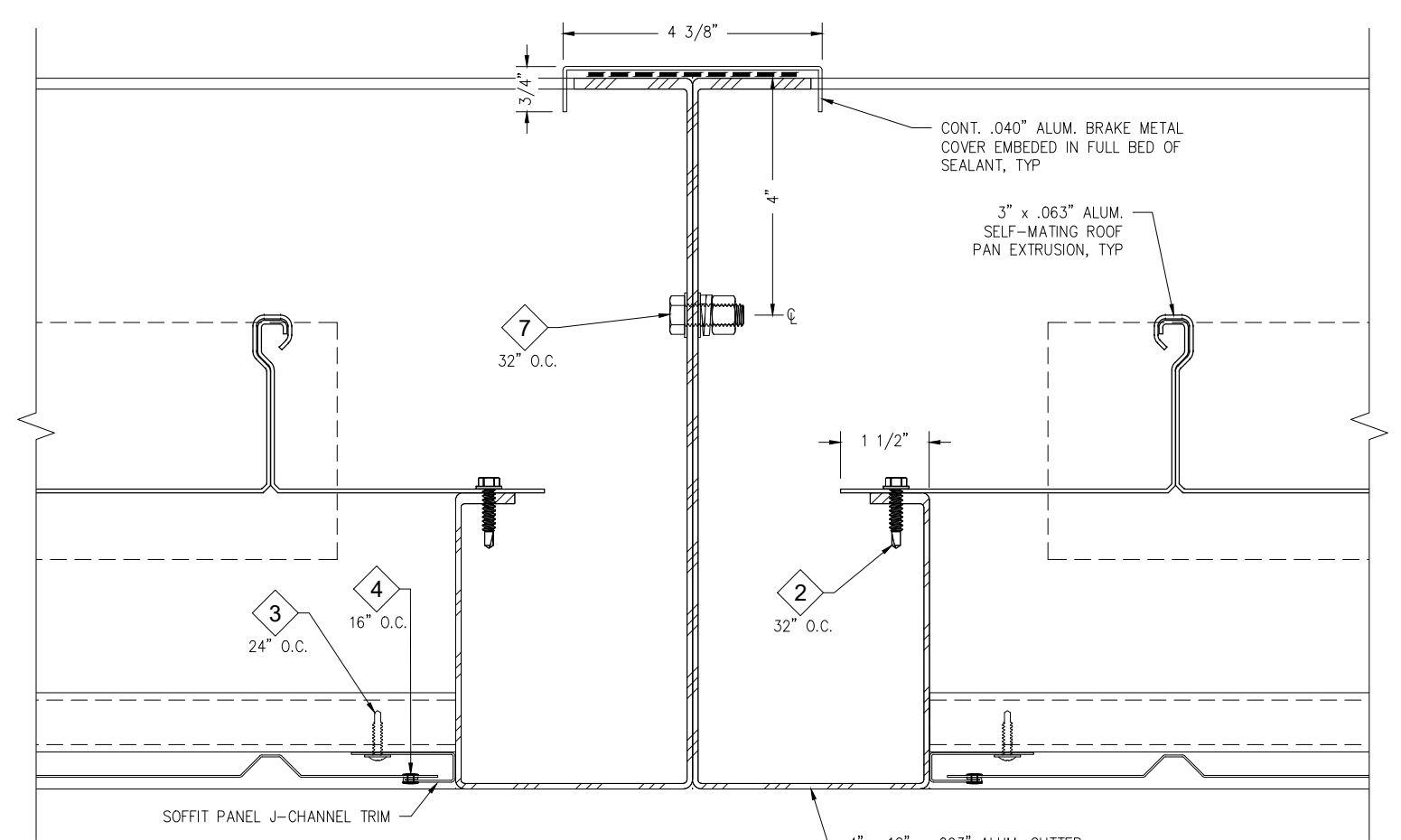
Architects & Designers: FenWall recommends this note appear in the plan, elevation, section & details of your drawings.
 All related materials provided by FenWall. No substitutions without written consent from Store Owner/Architect.



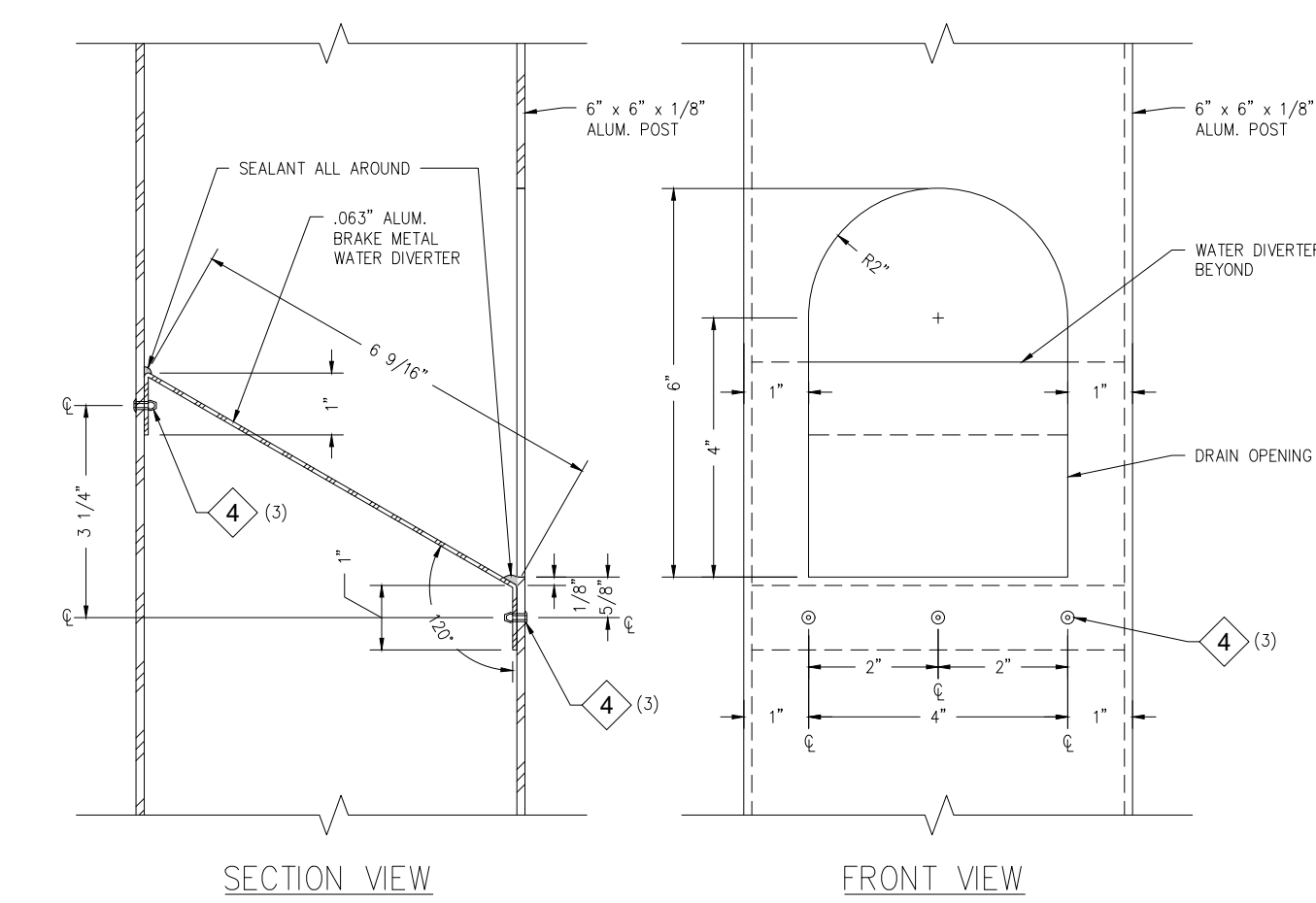
1 ATTACHED PATIO COVER DETAIL
 SECTION N.T.S.



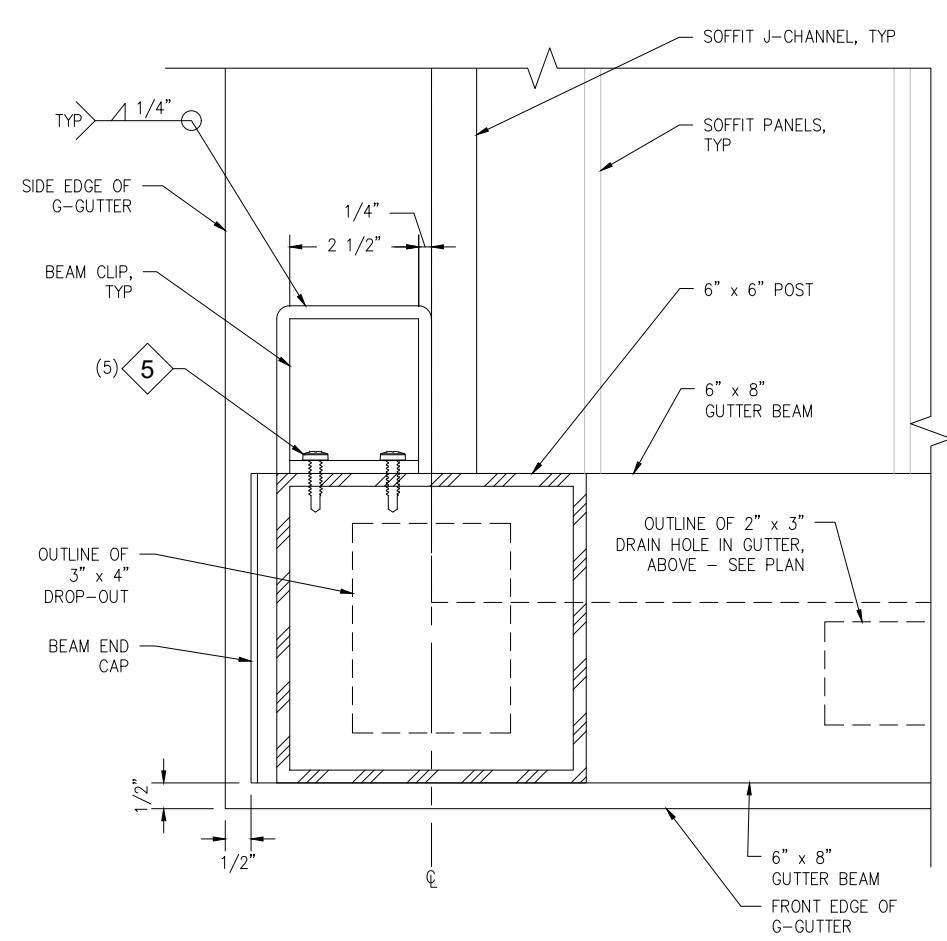
2 ATTACHED PATIO COVER DETAIL
 SECTION N.T.S.



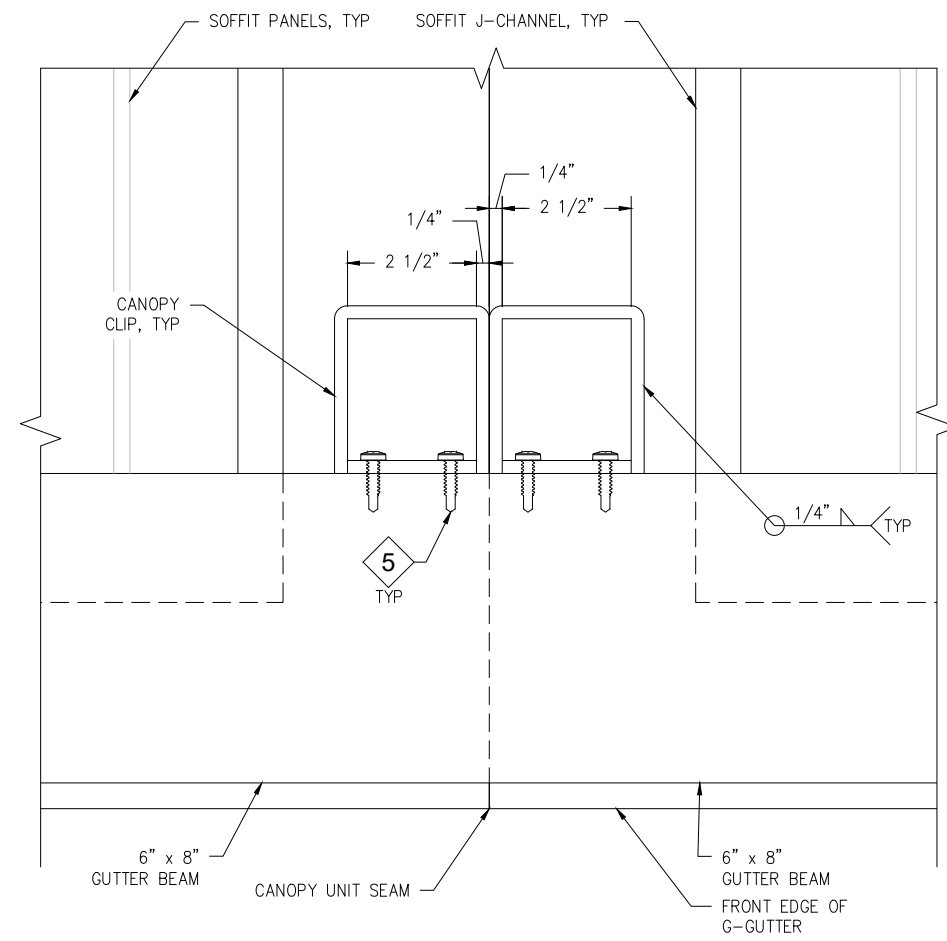
3 ATTACHED PATIO COVER DETAIL
 SECTION N.T.S.



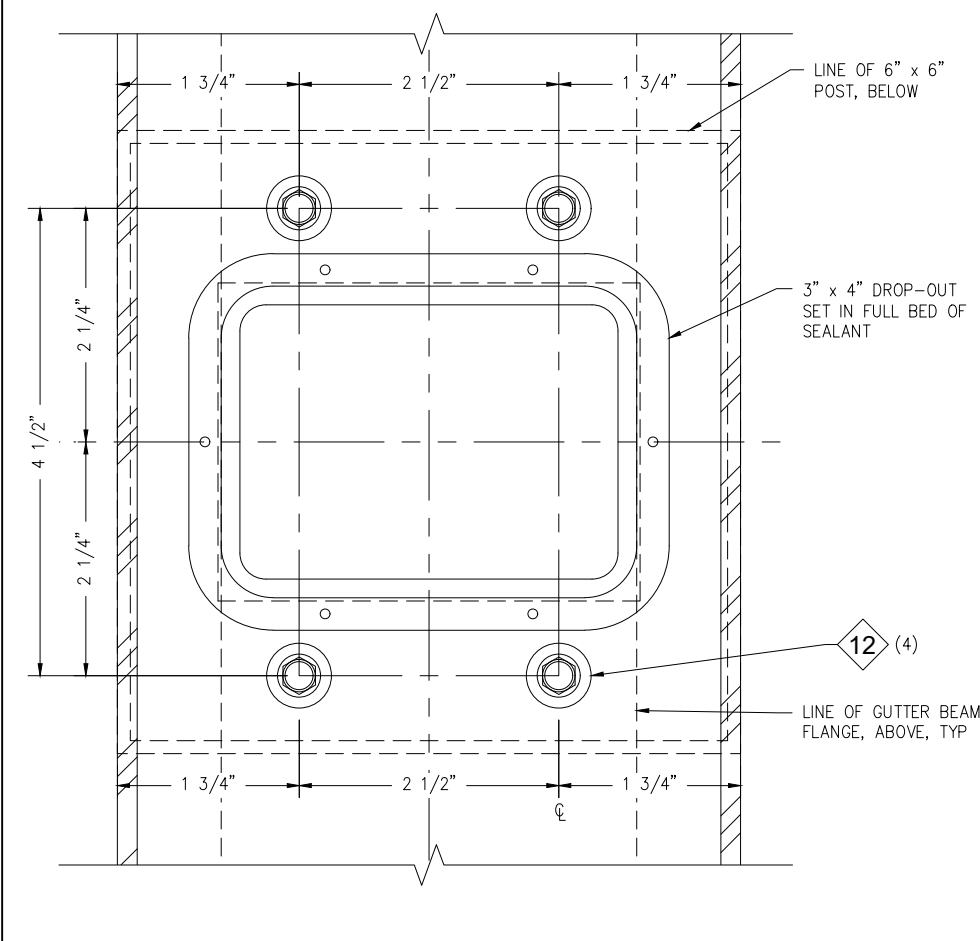
4 POST DRAIN OPENING DETAIL
 SECTION & ELEVATION N.T.S.



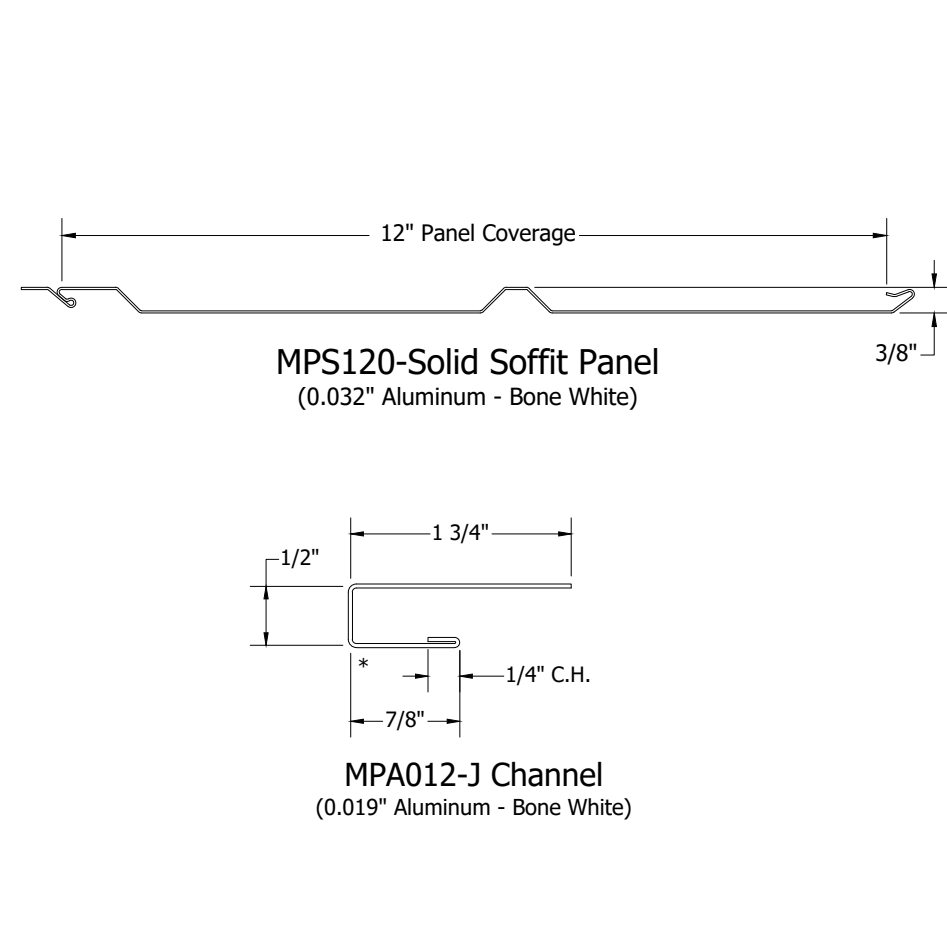
1 ATTACHED PATIO COVER DETAIL
9 REFLECTED PLAN SECTION N.T.S.



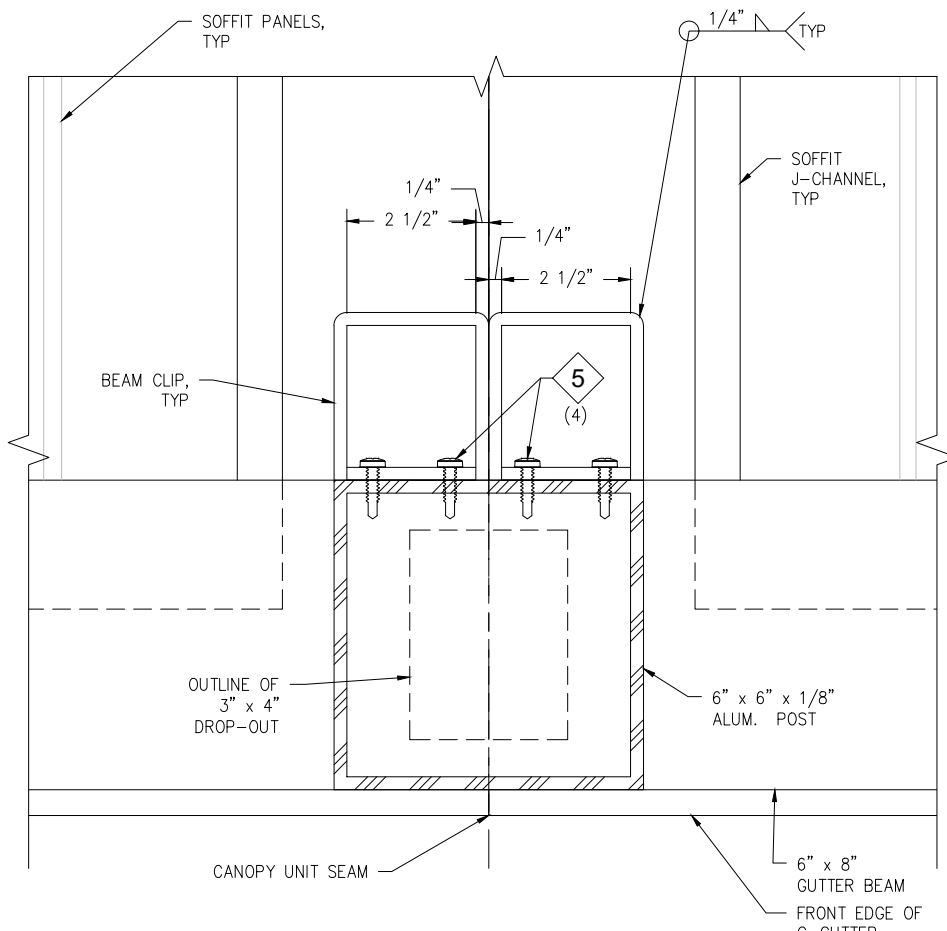
2 ATTACHED PATIO COVER DETAIL
9 REFLECTED PLAN SECTION N.T.S.



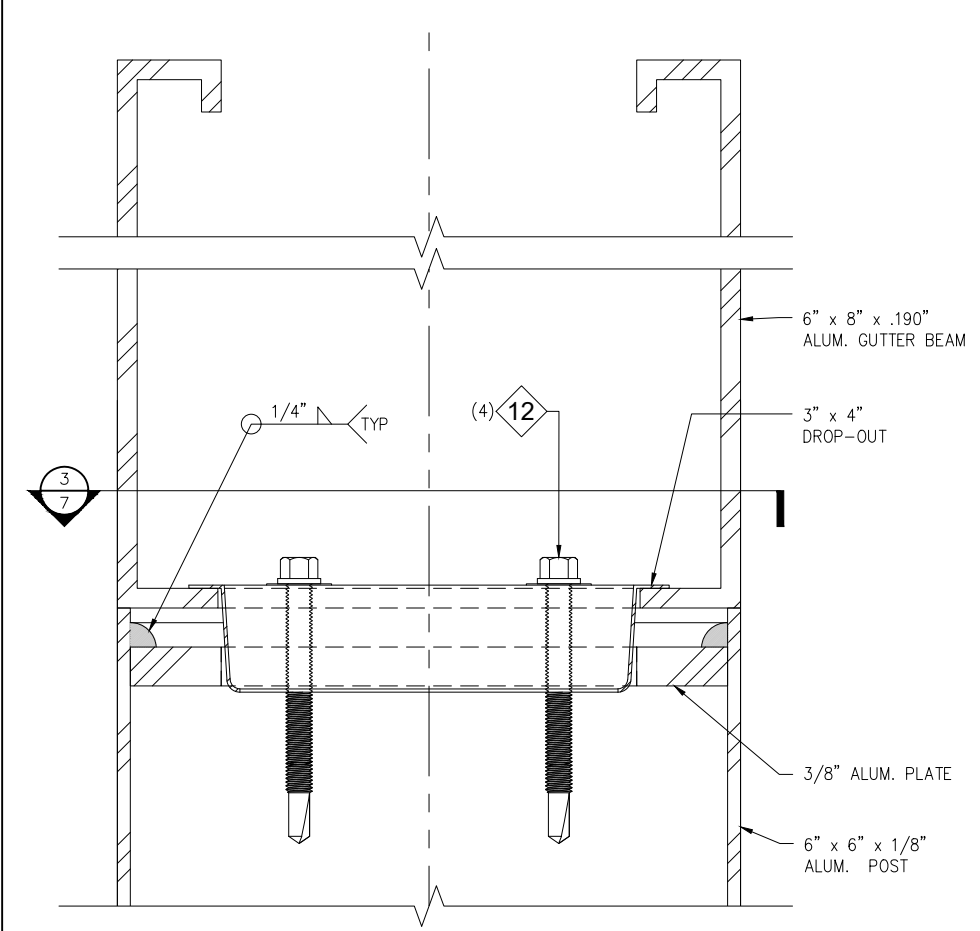
5 ATTACHED PATIO COVER DETAIL
9 PLAN SECTION N.T.S.



4 SOFFIT PANEL & ACCESSORIES
9 SECTION N.T.S.



3 ATTACHED PATIO COVER DETAIL
9 REFLECTED PLAN SECTION N.T.S.



6 ATTACHED PATIO COVER DETAIL
9 SECTION N.T.S.

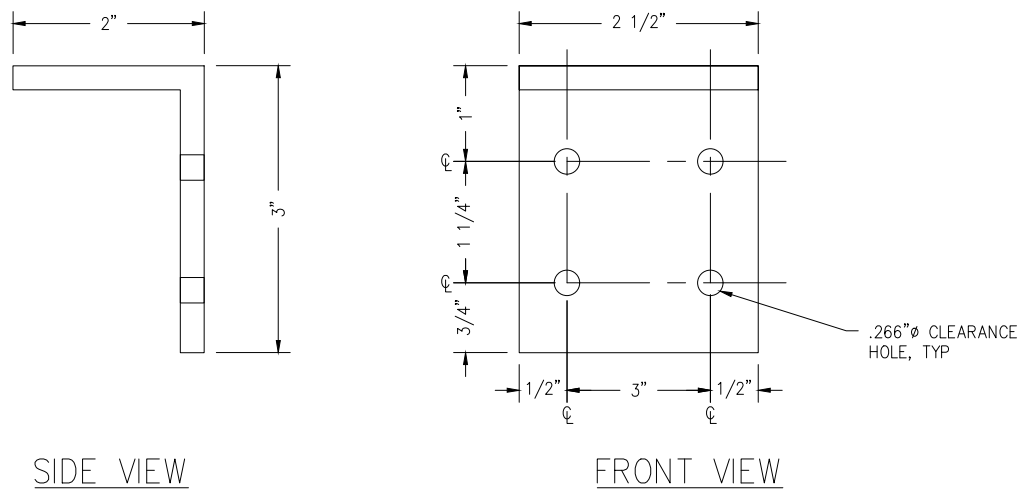
Customer: FENWALL IN-HOUSE	Date: 02/18/2019	Sheet: 9 OF 10
Assembly: ATTACHED PATIO COVER	Date: ...	
Drawn By: JD		
Revision: ...		
Scale: NTS		

Architects & Designers: FenWall recommends this note appear in the plan, elevation, section & details of your drawings.
All related materials provided by FenWall. No substitutions without written consent from Store Owner/Architect.

NOT USED

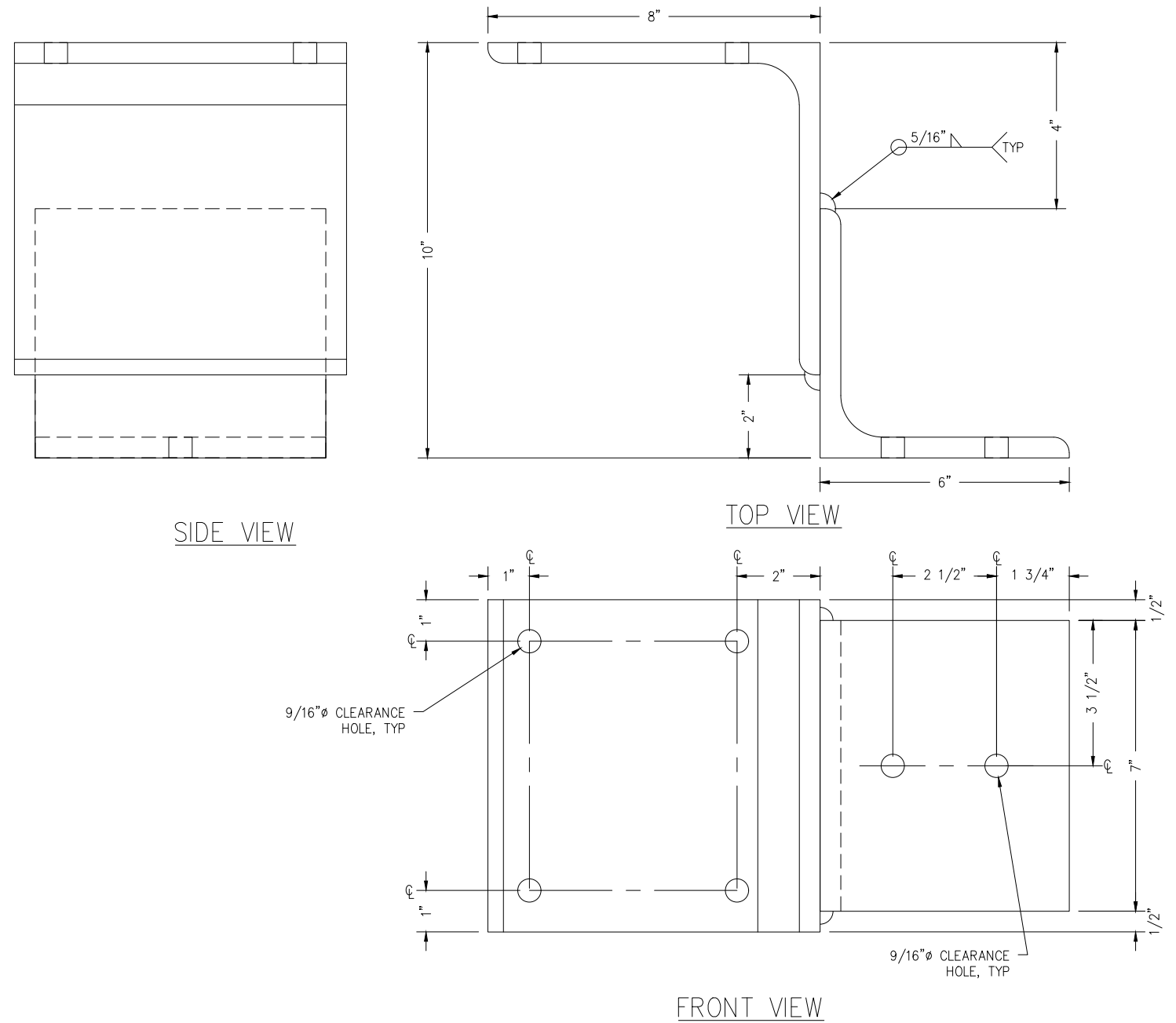
NOT USED

MATERIAL: 2" x 3" x 1/4" 6063-T52 ALUMINUM ARCHITECTURAL ANGLE



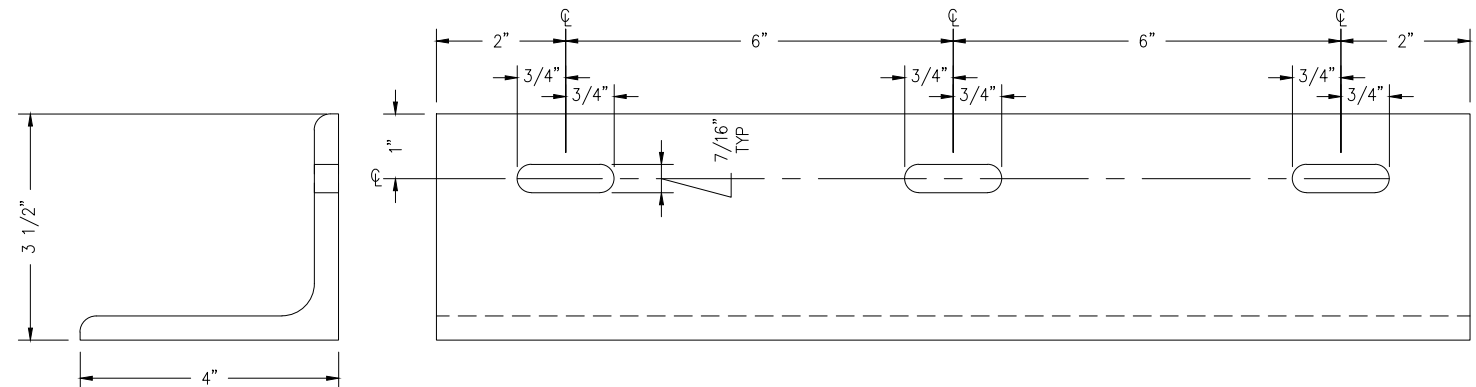
1 CANOPY CLIP FABRICATION DETAIL
10 ELEVATION N.T.S.

MATERIAL: 8" x 8" x 1/2" ASTM A36 STEEL ANGLE
6" x 6" x 1/2" ASTM A36 STEEL ANGLE



4 LEDGER BRACKET FABRICATION DETAIL
10 ELEVATIONS N.T.S.

MATERIAL: 2-1/2" x 2-1/2" x 1/4" 6061-T6 ALUMINUM STRUCTURAL ANGLE



5 CANOPY MOUNT FABRICATION DETAIL
10 ELEVATIONS N.T.S.

Customer: FENWALL IN-HOUSE

Assembly: ATTACHED PATIO COVER

Drawn By: JD Date: 02/18/2019

Revision: ... Date: ...

Scale: NTS Sheet: 10 OF 10

Architects & Designers: FenWall recommends this note appear in the plan, elevation, section & details of your drawings.

All related materials provided by FenWall. No substitutions without written consent from Store Owner/Architect.