

These shop drawings remain the property of FenWall and contain proprietary, competitive information which if released to any party other than the intended recipient, could cause an undetermined amount of harm to FenWall. Any reproduction and distribution of said drawings without the express written consent of FenWall is strictly prohibited. Any charge for shop drawings, paid or owed by the intended recipient to FenWall is considered a rental charge for the right to utilize said drawings in order to conduct business with FenWall.

# WELDED RAILING SHOP DRAWINGS BY FENWALL

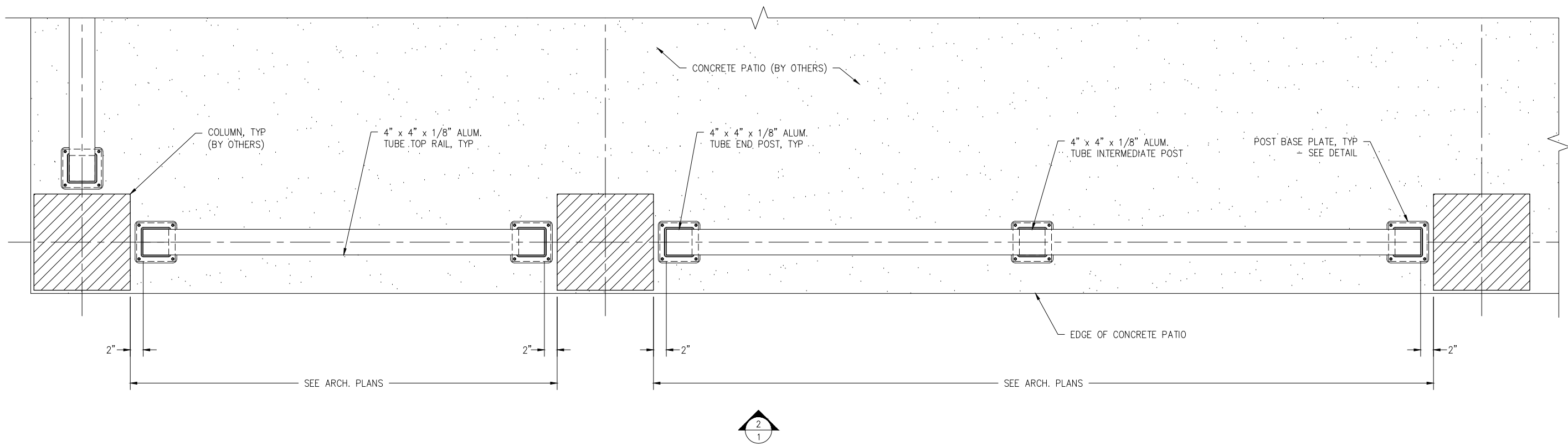


NOTES:

- 1. ALL EXPOSED & SEMI-EXPOSED SURFACES SHALL HAVE CUSTOM POWDER COAT FINISH –

|                            |                |
|----------------------------|----------------|
| Customer: FENWALL IN-HOUSE | Date: 09/12/16 |
| Assembly: WELDED RAILINGS  | Date: 09/23/16 |
| Drawn By: JD               | Sheet: 1 OF 3  |
| Revision: JD               |                |
| Scale: NTS                 |                |

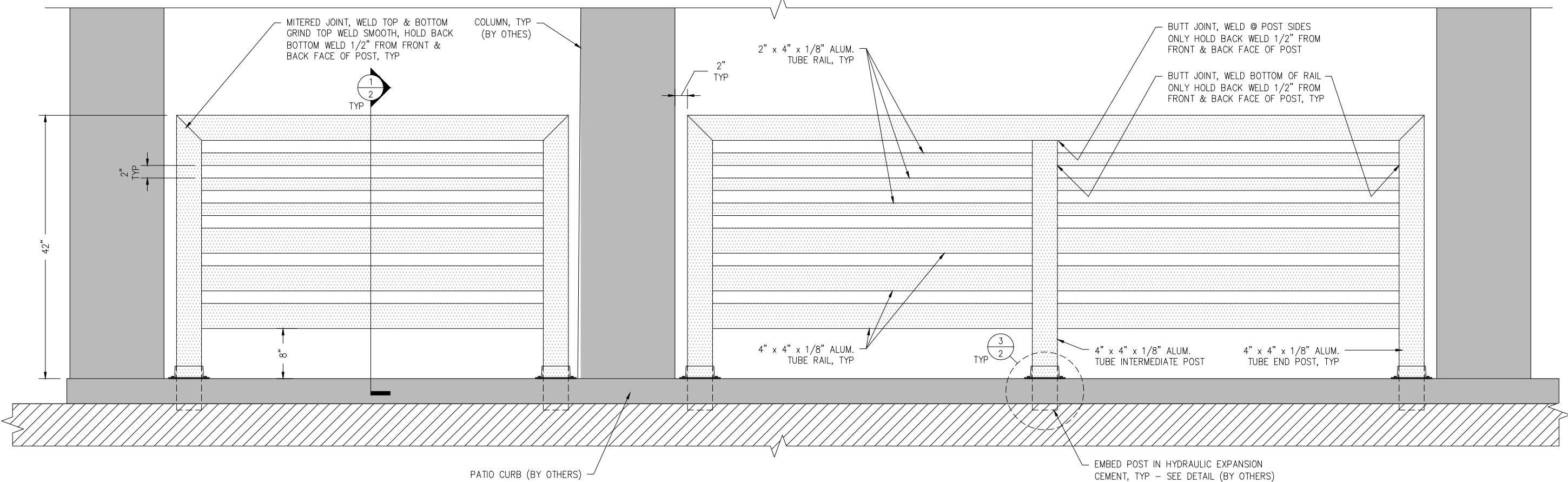
Architects & Designers: FenWall recommends this note appear in the plan, elevation, section & details of your drawings.  
All related materials provided by FenWall. No substitutions without written consent from Store Owner/Architect.



2  
1

1 RAILING  
1 PLAN

N.T.S.



2 RAILING  
1 ELEVATION

N.T.S.

Customer: FENWALL IN-HOUSE

Assembly: WELDED RAILING

Drawn By: JD

Revision: JD

Scale: NTS

Date: 09/12/16

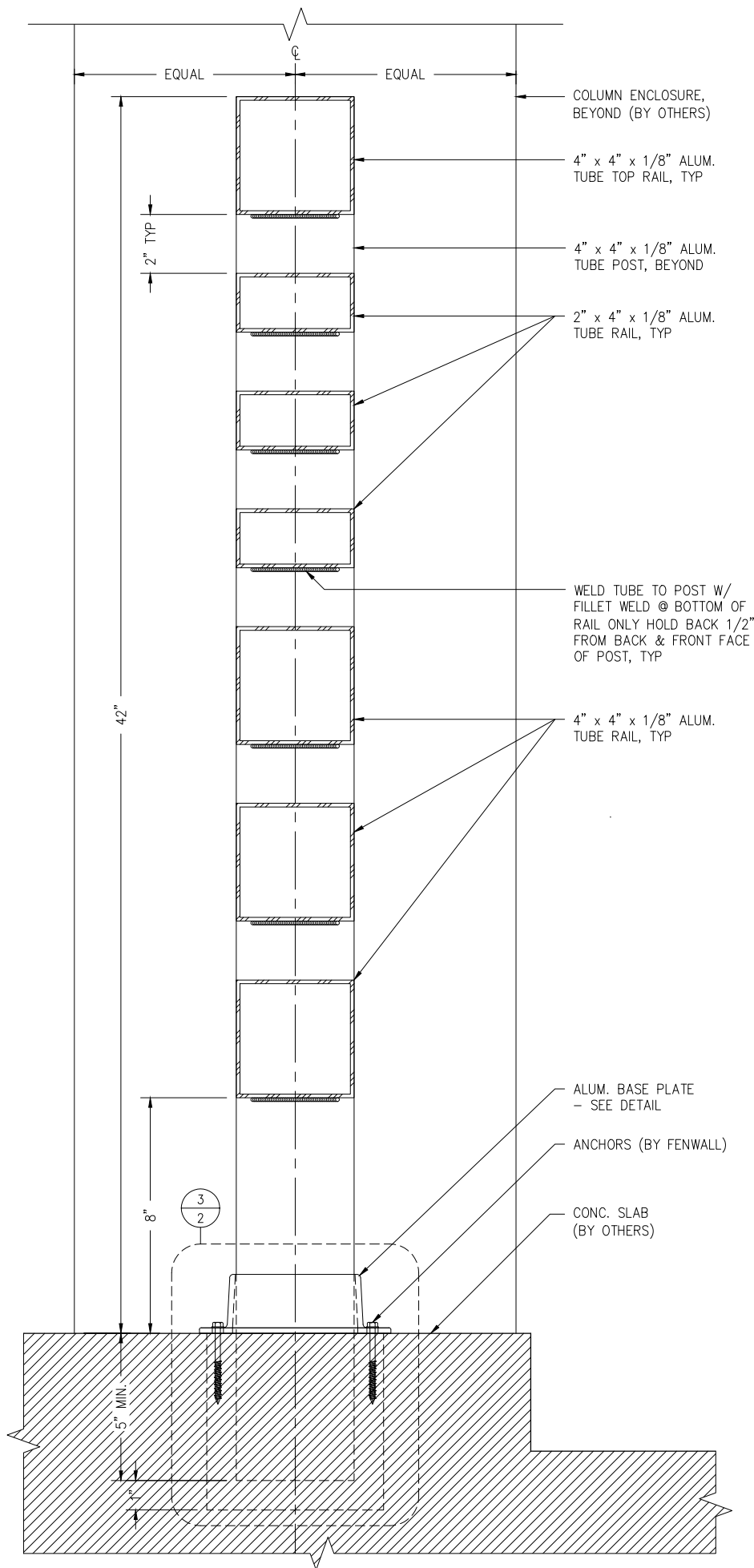
Date: 09/23/16

Sheet: 2 OF 3

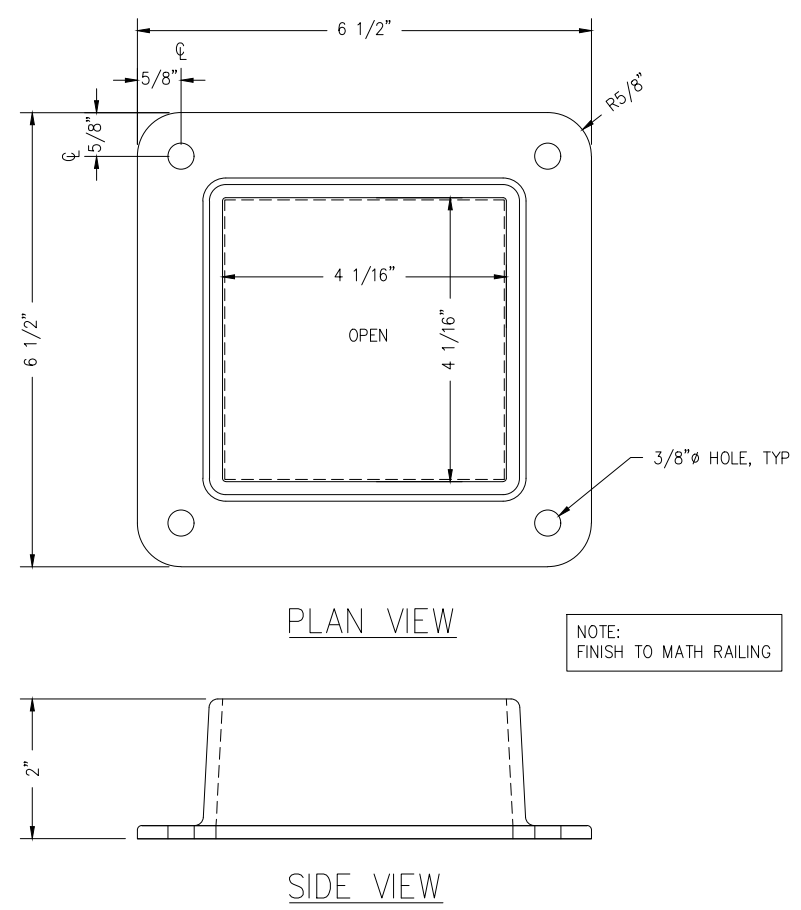
Architects & Designers: FenWall recommends this note appear in the plan, elevation, section & details of your drawings.

All related materials provided by FenWall. No substitutions without written consent from Store Owner/Architect.

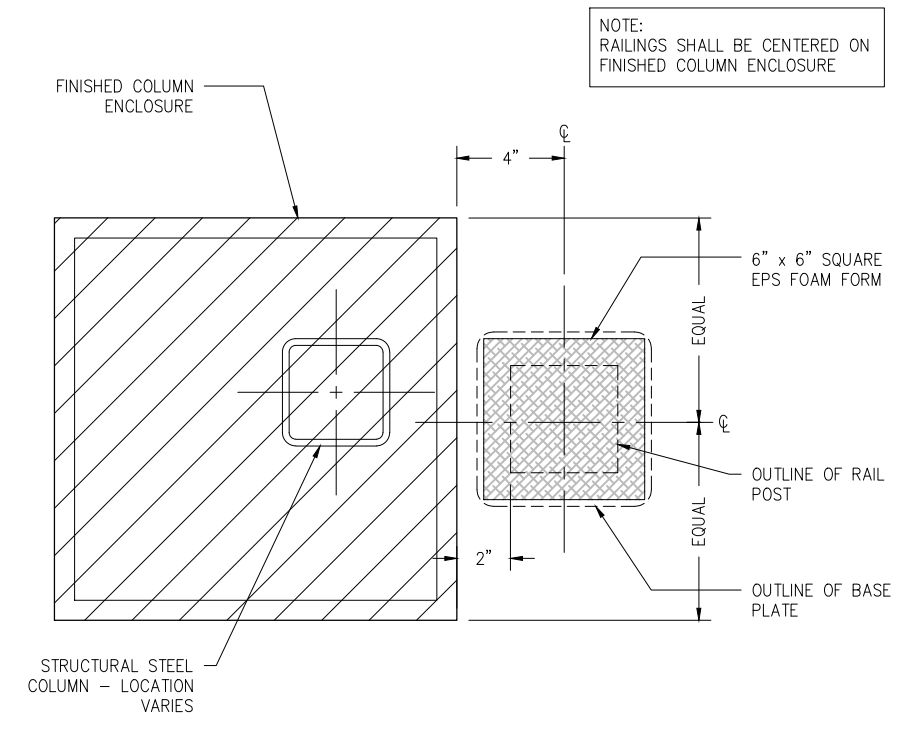
**FenWall**  
FABRICATION & MANUFACTURING  
13929 Lynmar Blvd, Tampa, FL 33626  
P: 813.343.5979 E: info@fenwalls.com www.fenwalls.com



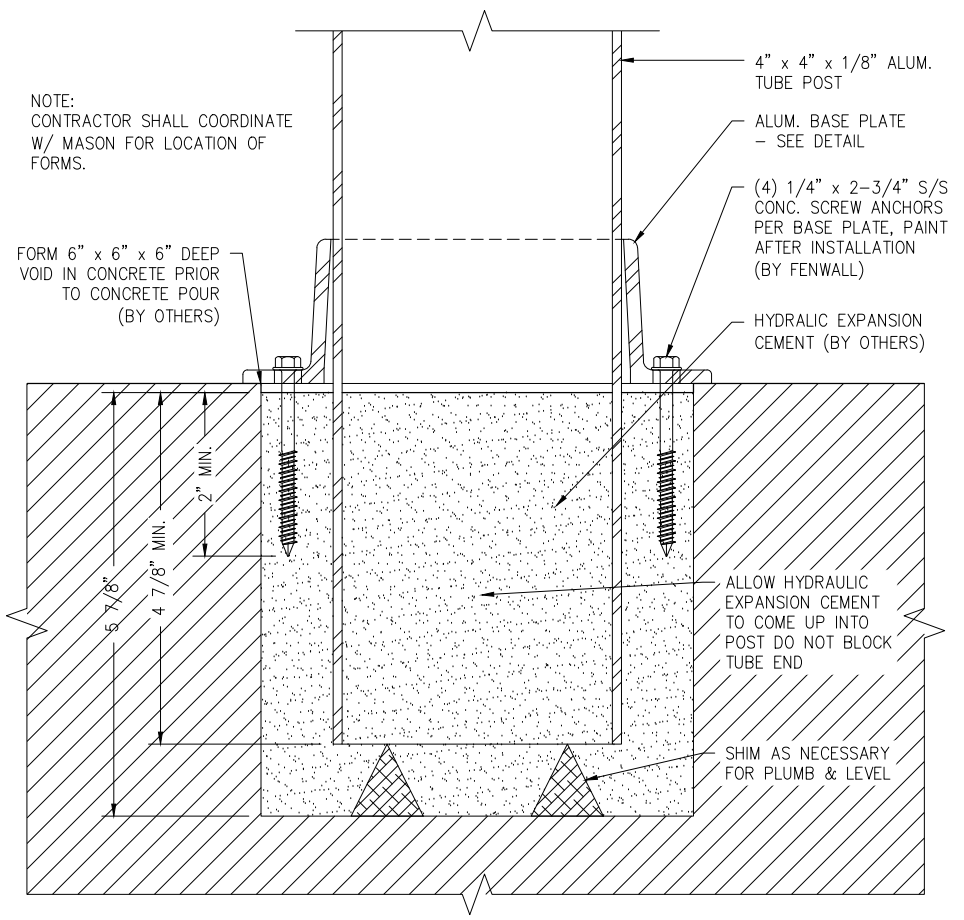
1  
 2  
 WELDED RAIL SECTION N.T.S.



2  
 2  
 BASE PLATE DETAIL ELEVATION N.T.S.



4  
 2  
 FORM LAYOUT PLAN N.T.S.



3  
 2  
 POST ANCHORING DETAIL SECTION N.T.S.

|                            |                |
|----------------------------|----------------|
| Customer: FENWALL IN-HOUSE | Date: 09/12/16 |
| Assembly: WELDED RAILING   | Date: 09/23/16 |
| Drawn By: JD               | Sheet: 3 OF 3  |
| Revision: JD               |                |
| Scale: NTS                 |                |

Architects & Designers: FenWall recommends this note appear in the plan, elevation, section & details of your drawings.  
 All related materials provided by FenWall. No substitutions without written consent from Store Owner/Architect.