

SERIES BCI524F

INTERIOR BOLLARD COVER

SHOP DRAWINGS BY FENWALL

NOTES:

- ALL EXPOSED & SEMI-EXPOSED SURFACES SHALL RECEIVE THE FOLLOWING FINISH:

No.4 BRUSHED STAINLESS STEEL

FASTENER SCHEDULE

| # | DESCRIPTION |
|---|---|
| 1 | $\frac{5}{16}$ "-24 x $\frac{1}{2}$ " S/S CUP POINT SET SCREW |
| 2 | -- |
| 3 | -- |
| 4 | -- |
| 5 | -- |
| 6 | -- |
| 7 | -- |
| 8 | -- |
| 9 | -- |

NOTE: ALL FASTENERS LISTED ARE SUPPLIED BY FENWALL UNLESS OTHERWISE NOTED

These shop drawings remain the property of FenWall and contain proprietary, competitive information which if released to any party other than the intended recipient, could cause an undetermined amount of harm to FenWall. Any reproduction and distribution of said drawings without the express written consent of FenWall is strictly prohibited. Any charge for shop drawings, paid or owed by the intended recipient to FenWall is considered a rental charge for the right to utilize said drawings in order to conduct business with FenWall.

FenWall recommends that this note appear with all elevation and section view details in your blueprints.

All related materials provided by FenWall. No substitutions without written consent from Store Owner/Architect.

Customer: FENWALL IN-HOUSE

Assembly: INTERIOR BOLLARD COVER SERIES BCI524F

Drawn By: JD

Date: 12/07/2016

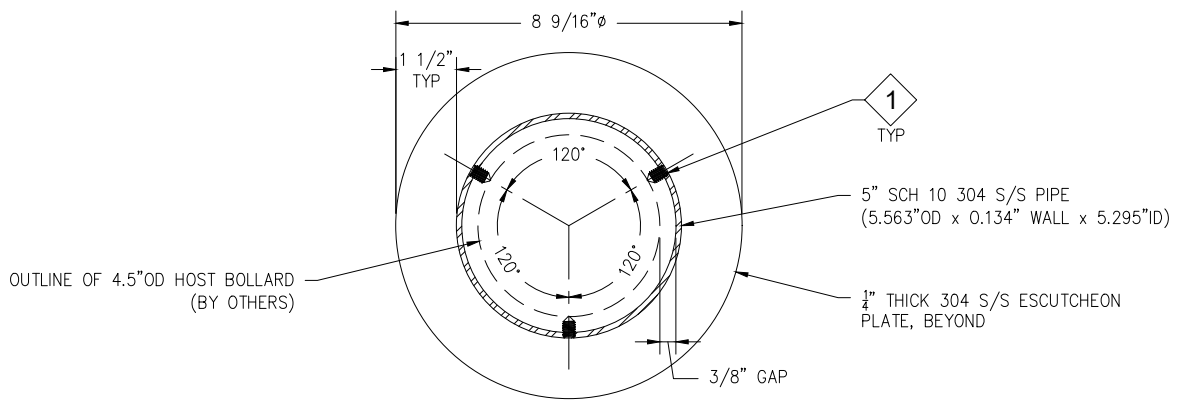
Revision: JD

Date: 04/03/2017

Scale: NTS

Sheet: 1 OF 2





1 INTERIOR BOLLARD COVER SERIES BCI524F
 2 PLAN SECTION N.T.S.

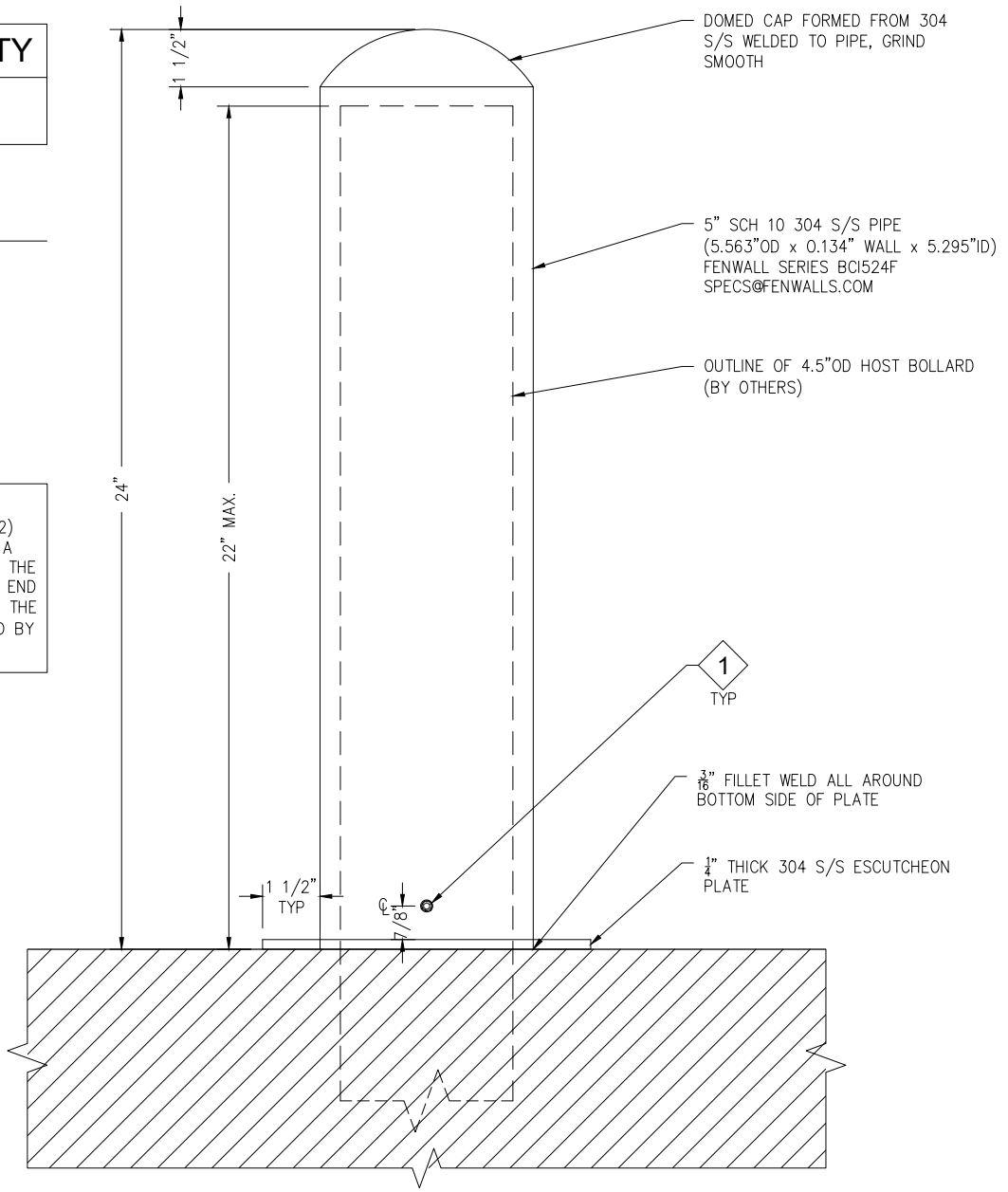
| HEIGHT | QUANTITY |
|--------|----------|
| 24" | |

CUSTOMER APPROVED _____

DATE _____

JOB LOCATION: _____

NOTE: PRIOR TO INSTALLING BOLLARD COVER, OVERLAP (2) FLEXIBLE SPACER STRIPS IN A CROSS CONFIGURATION OVER THE TOP OF THE HOST BOLLARD. END LENGTHS SHALL BE 6" FROM THE FURNISHED FLOOR. (SUPPLIED BY FENWALL)



2 INTERIOR BOLLARD COVER SERIES BCI524F
 2 ELEVATION N.T.S.

FenWall recommends that this note appear with all elevation and section view details in your blueprints.
 All related materials provided by FenWall. No substitutions without written consent from Store Owner/Architect.

| | |
|---|------------------|
| Customer: FENWALL IN-HOUSE | |
| Assembly: INTERIOR BOLLARD COVER SERIES BCI524F | |
| Drawn By: JD | Date: 12/07/2016 |
| Revision: JD | Date: 04/03/2017 |
| Scale: NTS | Sheet: 2 OF 2 |

FenWall
 FABRICATION & MANUFACTURING
 13929 Lynmar Blvd, Tampa, FL 33626
 P: 813.343.5979 E: info@fenwalls.com www.fenwalls.com