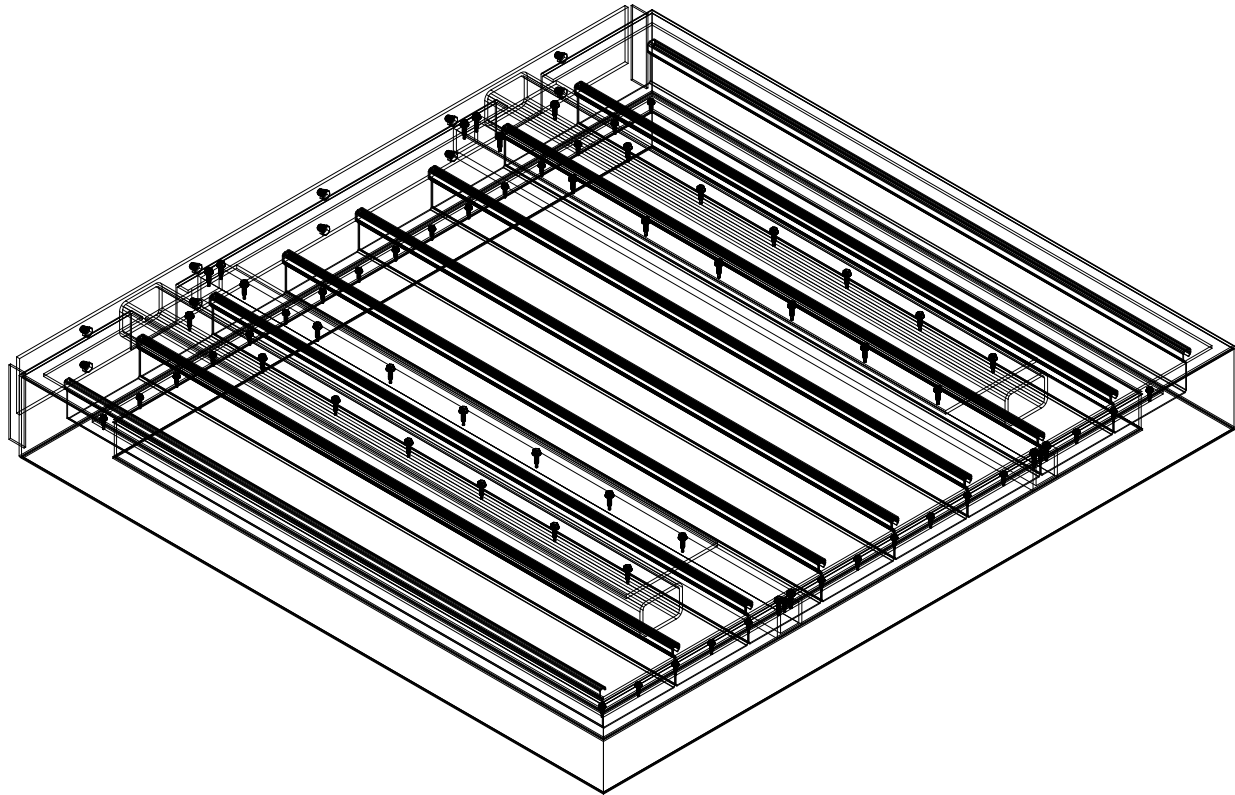


These shop drawings remain the property of FenWall and contain proprietary, competitive information which if released to any party other than the intended recipient, could cause an undetermined amount of harm to FenWall. Any reproduction and distribution of said drawings without the express written consent of FenWall is strictly prohibited. Any charge for shop drawings, paid or owed by the intended recipient to FenWall is considered a rental charge for the right to utilize said drawings in order to conduct business with FenWall.

CANOPY W/ STEEL OUTRIGGERS

BY

FENWALL
FABRICATION & MANUFACTURING



Architects & Designers: FenWall recommends this note appear in the plan, elevation, section & details of your drawings.

All related materials provided by FenWall. No substitutions without written consent from Store Owner/Architect.

Customer: FEWALL IN-HOUSE

Assembly: CANOPY W/ STEEL OUTRIGGERS

Drawn By: ER

Date: 10/24/16

Revision:

Date: 05/20/2020

Scale: NTS

Sheet: COVER

 **FenWall**
FABRICATION & MANUFACTURING

13929 Lynmar Blvd, Tampa, FL 33626
P: 813.343.5979 E: info@fenwalls.com www.fenwalls.com

GENERAL NOTES

1. BUILDING'S ENGINEER OF RECORD SHALL CERTIFY BUILDING'S STRUCTURAL ABILITY TO CARRY CANOPY LOADS.
2. INTERNAL WALL BLOCKING & BRACING AT CANOPY CONNECTION POINTS TO BUILDING ARE BY OTHERS UNLESS OTHERWISE NOTED.
3. ALL CANOPY CONNECTION POINTS TO WALL ARE DESIGNED BY OTHERS UNLESS OTHERWISE NOTED.
4. ALL FASTENERS NOT OTHERWISE NOTED ARE STAINLESS STEEL.
5. ALL FASTENER HOLES NOT OTHERWISE NOTED ARE FIELD DRILLED.
6. THE INSTALLATION CONTRACTOR IS RESPONSIBLE FOR THE PROPER FLASHING, SEALING & WATER-PROOFING OF THE EXISTING BUILDING & CANOPY.

DESIGN NOTES

1. FINISH TO BE CHOSEN BY CUSTOMER.
2. SURROUND WALL ANCHORS WITH SEALANT.
3. TO ENSURE PROPER DRAINAGE INSTALL CANOPY WITH POSITIVE SLOPE.
4. UNLESS OTHERWISE NOTED FIELD DRILL HOLES IN GUTTER FOR SCUPPER & DOWNSPOUT OUTLET LOCATIONS.
5. ALL WELDS SHOWN ARE FACTORY MADE.

Architects & Designers: FenWall recommends this note appear in the plan, elevation, section & details of your drawings.

All related materials provided by FenWall. No substitutions without written consent from Store Owner/Architect.

Customer: FEWALL IN-HOUSE

Assembly: CANOPY W/ STEEL OUTRIGGERS

Drawn By: ER

Date: 10/24/16

Revision:

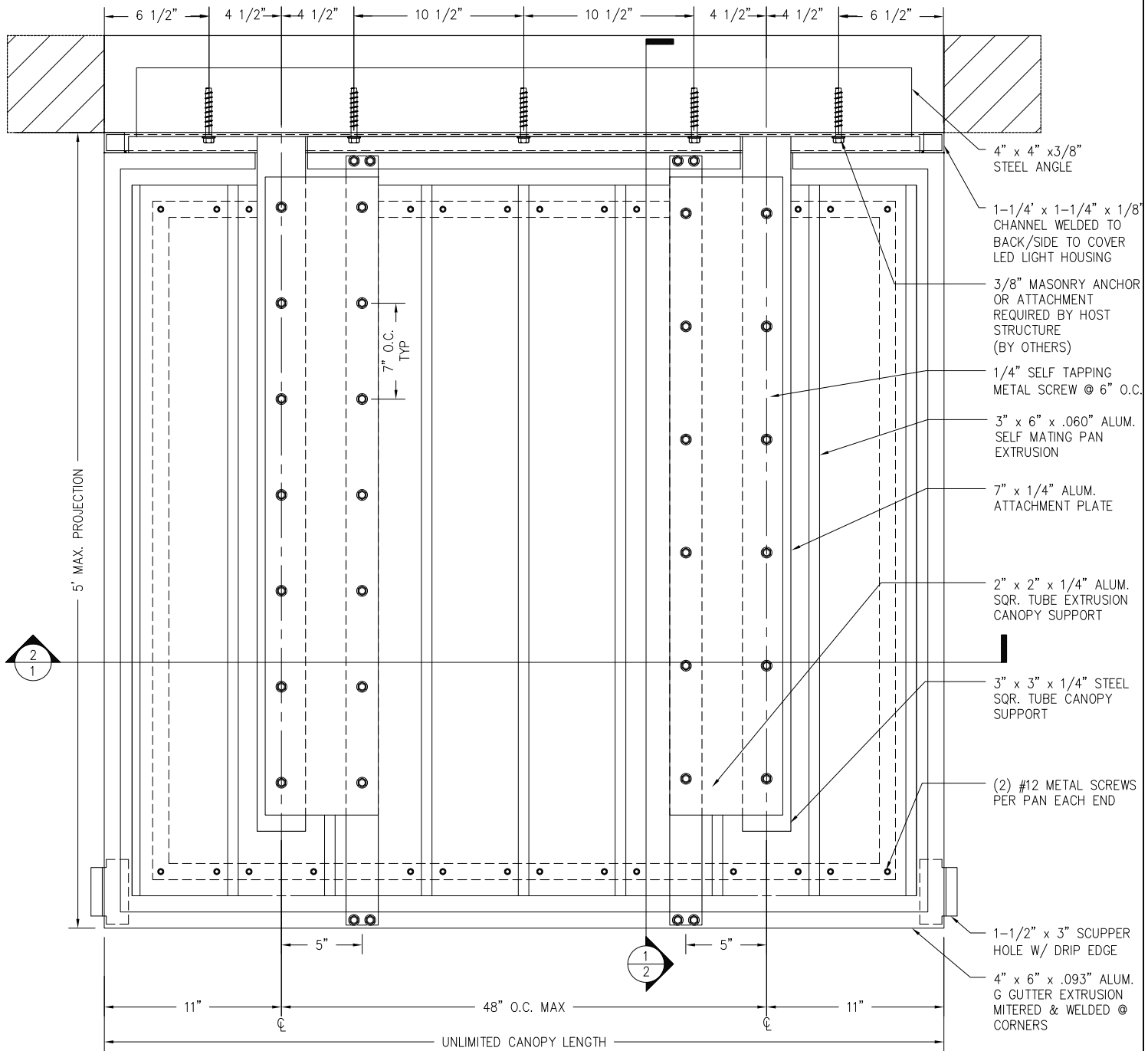
Date:

Scale: NTS

Sheet: COVER



13929 Lynmar Blvd, Tampa, FL 33626
P: 813.343.5979 E: info@fenwalls.com www.fenwalls.com



1 TYPICAL CANOPY PLAN N.T.S.

1 PLAN VIEW

2 2

6" O.C.

15"

4"

OPTIONAL 8" GUTTER PROFILE

1/4" SELF TAPPING METAL SCREWS

TUBE & CHANNEL BLOCKING, BEYOND (SEE DETAIL)

1/4" SELF TAPPING METAL SCREWS

OPTIONAL 8" GUTTER PROFILE

1/4" SELF TAPPING METAL SCREWS

7" x 1/4" ALUM. ATTACHMENT PLATE

3" x 6" x .060" ALUM. SELF MATING PAN EXTRUSION

4" x 6" x .093" ALUM. G GUTTER EXTRUSION

3" x 3" x 1/4" STEEL SQR. TUBE CANOPY SUPPORT

2" x 2" x 1/4" ALUM. SQR. TUBE EXTRUSION CANOPY SUPPORT

3" x 3" x 1/4" STEEL SQR. TUBE CANOPY SUPPORT

(2) #12 METAL SCREWS PER PAN EACH END

1-1/2" x 3" SCUPPER HOLE W/ DRIP EDGE

4" x 6" x .093" ALUM. G GUTTER EXTRUSION MITERED & WELDED @ CORNERS

7" x 1/4" ALUM. ATTACHMENT PLATE

3" x 6" x .060" ALUM. SELF MATING PAN EXTRUSION

1/4" SELF TAPPING METAL SCREW @ 6" O.C.

3/8" MASONRY ANCHOR OR ATTACHMENT REQUIRED BY HOST STRUCTURE (BY OTHERS)

1-1/4" x 1-1/4" x 1/8" CHANNEL WELDED TO BACK/SIDE TO COVER LED LIGHT HOUSING

4" x 4" x 3/8" STEEL ANGLE

5" MAX. PROJECTION

UNLIMITED CANOPY LENGTH

48" O.C. MAX

11"

5"

5"

11"

48" O.C. MAX

UNLIMITED CANOPY LENGTH

5"

5"

11"

48" O.C. MAX

UNLIMITED CANOPY LENGTH

5"

5"

11"

48" O.C. MAX

UNLIMITED CANOPY LENGTH

5"

5"

11"

48" O.C. MAX

UNLIMITED CANOPY LENGTH

5"

5"

11"

48" O.C. MAX

UNLIMITED CANOPY LENGTH

5"

5"

11"

48" O.C. MAX

UNLIMITED CANOPY LENGTH

5"

5"

11"

48" O.C. MAX

UNLIMITED CANOPY LENGTH

5"

5"

11"

48" O.C. MAX

UNLIMITED CANOPY LENGTH

5"

5"

11"

48" O.C. MAX

UNLIMITED CANOPY LENGTH

5"

5"

11"

48" O.C. MAX

UNLIMITED CANOPY LENGTH

5"

5"

11"

48" O.C. MAX

UNLIMITED CANOPY LENGTH

5"

5"

11"

48" O.C. MAX

UNLIMITED CANOPY LENGTH

5"

5"

11"

48" O.C. MAX

UNLIMITED CANOPY LENGTH

5"

5"

11"

48" O.C. MAX

UNLIMITED CANOPY LENGTH

5"

5"

11"

48" O.C. MAX

UNLIMITED CANOPY LENGTH

5"

5"

11"

48" O.C. MAX

UNLIMITED CANOPY LENGTH

5"

5"

11"

48" O.C. MAX

UNLIMITED CANOPY LENGTH

5"

5"

11"

48" O.C. MAX

UNLIMITED CANOPY LENGTH

5"

5"

11"

48" O.C. MAX

UNLIMITED CANOPY LENGTH

5"

5"

11"

48" O.C. MAX

UNLIMITED CANOPY LENGTH

5"

5"

11"

48" O.C. MAX

UNLIMITED CANOPY LENGTH

5"

5"

11"

48" O.C. MAX

UNLIMITED CANOPY LENGTH

5"

5"

11"

48" O.C. MAX

UNLIMITED CANOPY LENGTH

5"

5"

11"

48" O.C. MAX

UNLIMITED CANOPY LENGTH

5"

5"

11"

48" O.C. MAX

UNLIMITED CANOPY LENGTH

5"

5"

11"

48" O.C. MAX

UNLIMITED CANOPY LENGTH

5"

5"

11"

48" O.C. MAX

UNLIMITED CANOPY LENGTH

5"

5"

11"

48" O.C. MAX

UNLIMITED CANOPY LENGTH

5"

5"

11"

48" O.C. MAX

UNLIMITED CANOPY LENGTH

5"

5"

11"

48" O.C. MAX

UNLIMITED CANOPY LENGTH

5"

5"

11"

48" O.C. MAX

UNLIMITED CANOPY LENGTH

5"

5"

11"

48" O.C. MAX

UNLIMITED CANOPY LENGTH

5"

5"

11"

48" O.C. MAX

UNLIMITED CANOPY LENGTH

5"

5"

11"

48" O.C. MAX

UNLIMITED CANOPY LENGTH

5"

5"

11"

48" O.C. MAX

UNLIMITED CANOPY LENGTH

5"

5"

11"

48" O.C. MAX

UNLIMITED CANOPY LENGTH

5"

5"

11"

48" O.C. MAX

UNLIMITED CANOPY LENGTH

5"

5"

11"

48" O.C. MAX

UNLIMITED CANOPY LENGTH

5"

5"

11"

48" O.C. MAX

UNLIMITED CANOPY LENGTH

5"

5"

11"

48" O.C. MAX

UNLIMITED CANOPY LENGTH

5"

5"

11"

48" O.C. MAX

UNLIMITED CANOPY LENGTH

5"

5"

11"

48" O.C. MAX

UNLIMITED CANOPY LENGTH

5"

5"

11"

48" O.C. MAX

UNLIMITED CANOPY LENGTH

5"

5"

11"

48" O.C. MAX

UNLIMITED CANOPY LENGTH

5"

5"

11"

48" O.C. MAX

UNLIMITED CANOPY LENGTH

5"

5"

11"

48" O.C. MAX

UNLIMITED CANOPY LENGTH

5"

5"

11"

48" O.C. MAX

UNLIMITED CANOPY LENGTH

5"

5"

11"

48" O.C. MAX

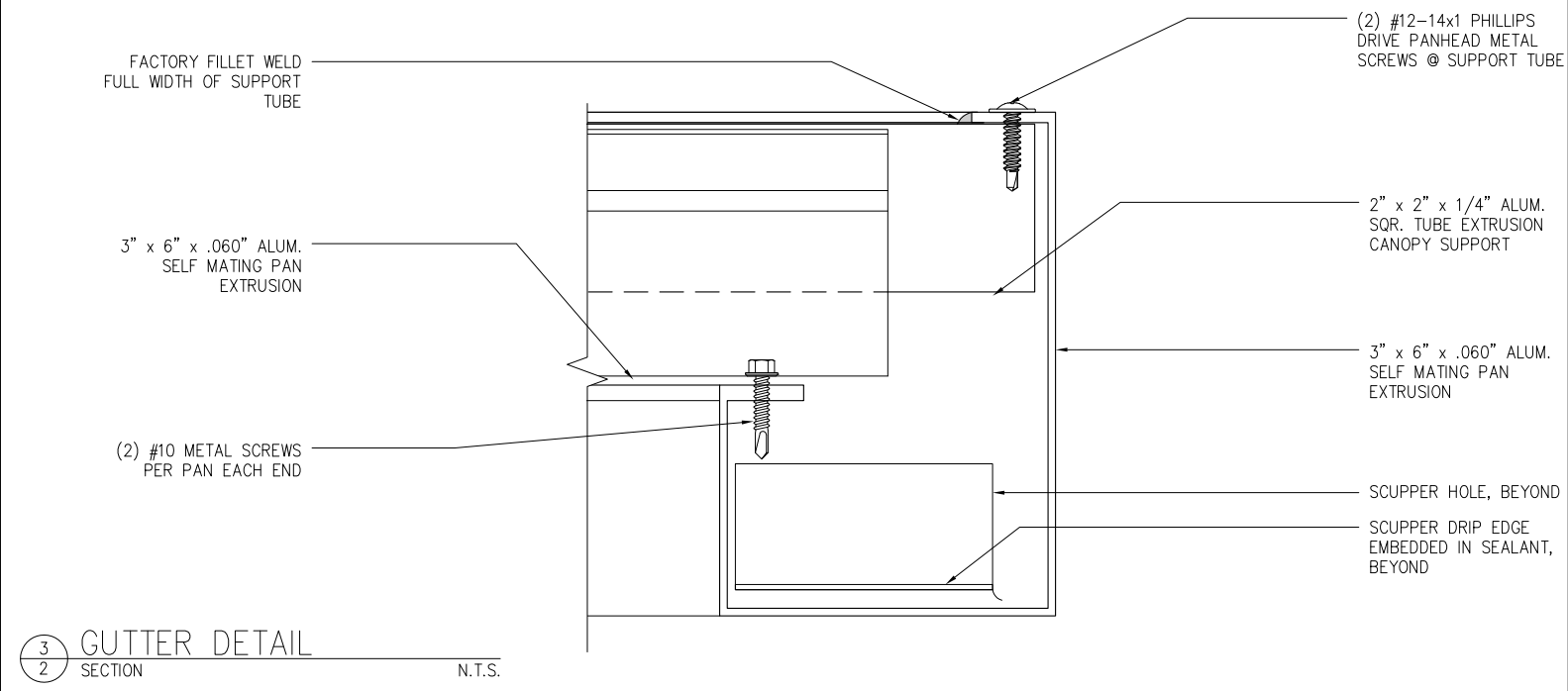
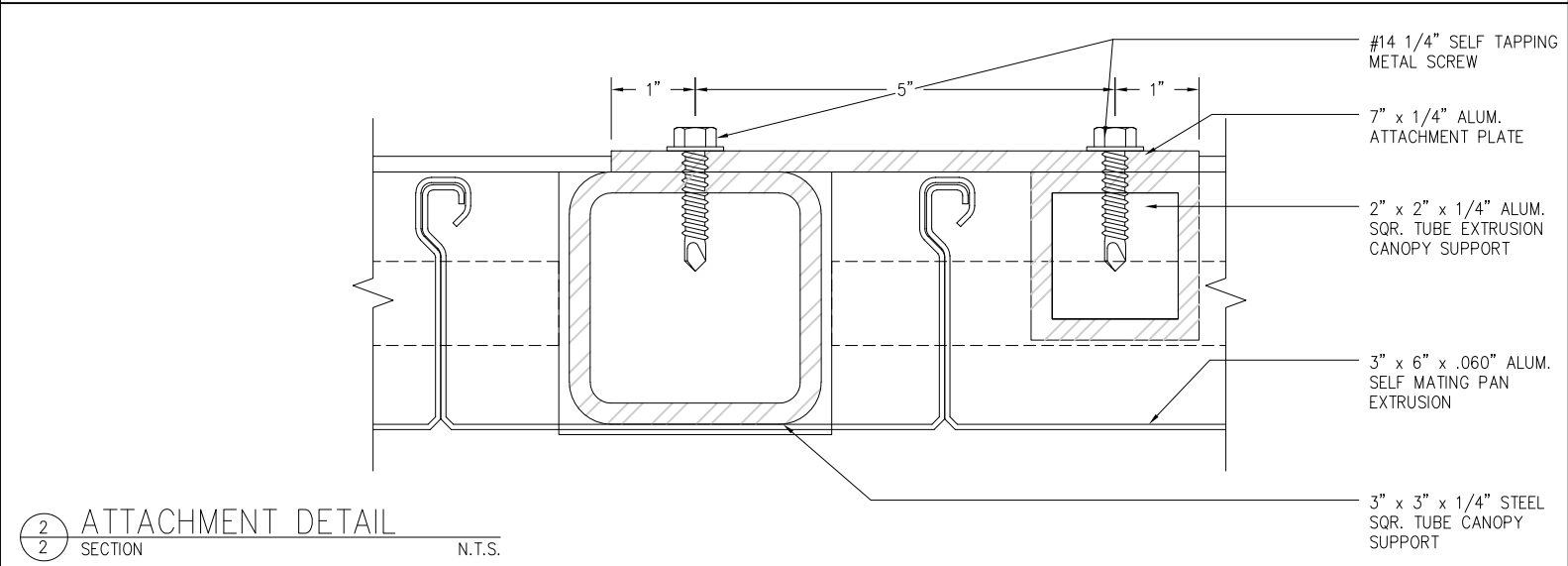
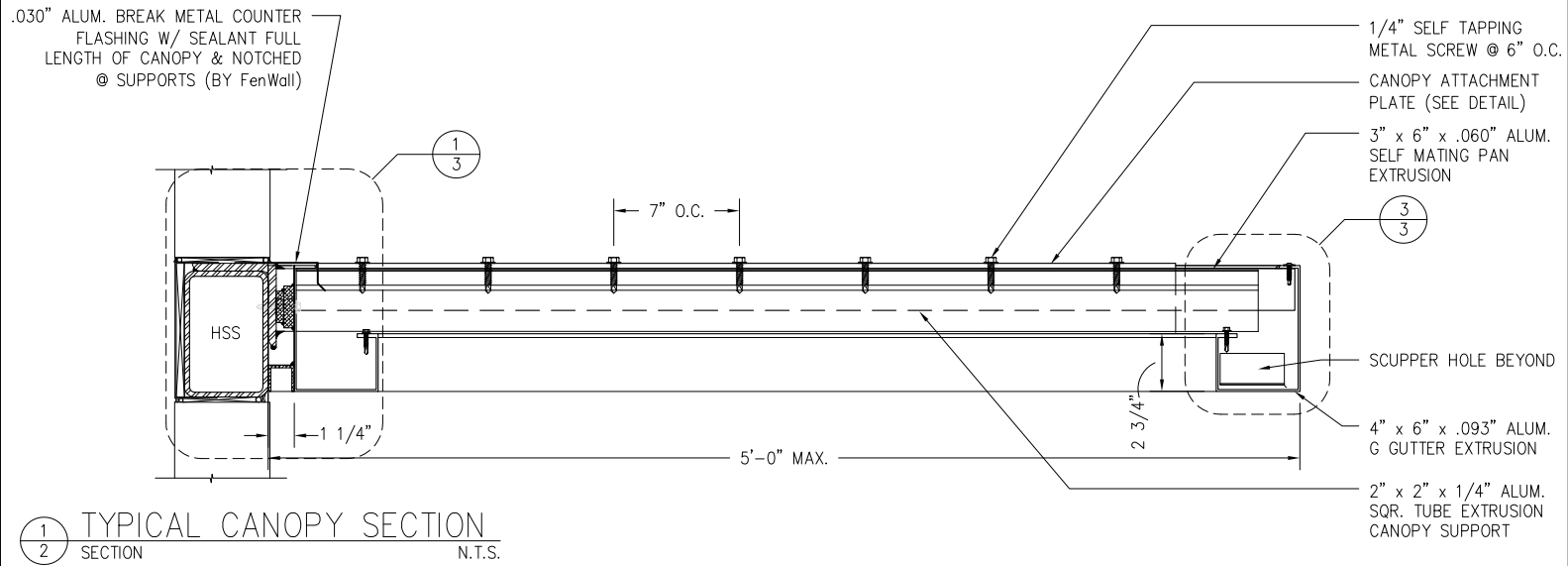
UNLIMITED CANOPY LENGTH

5"

5"

11"

48" O.C. MAX

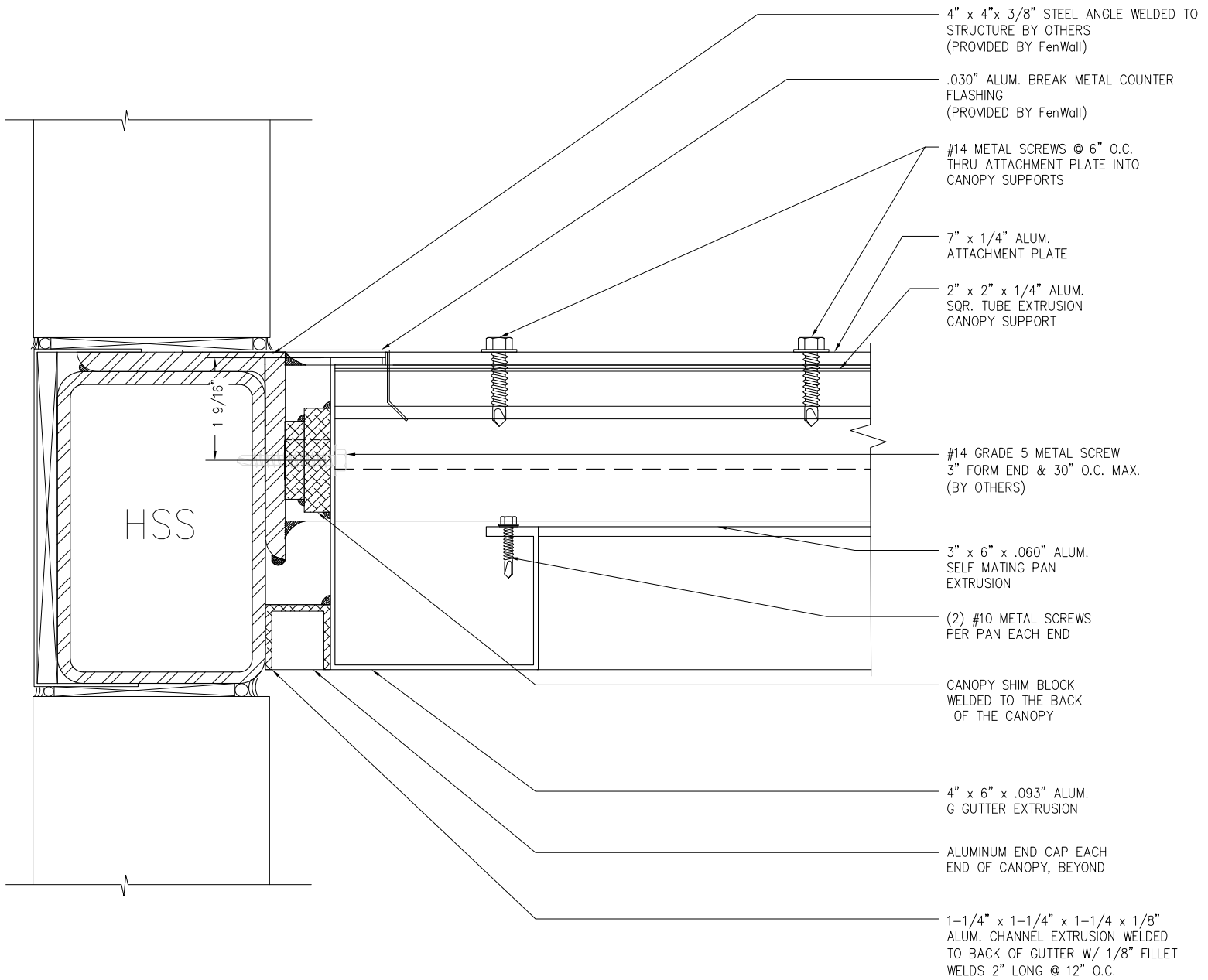


Architects & Designers: FenWall recommends this note appear in the plan, elevation, section & details of your drawings.

All related materials provided by FenWall. No substitutions without written consent from Store Owner/Architect.

Customer: FEWALL IN-HOUSE	
Assembly: CANOPY W/ STEEL OUTRIGGERS	
Drawn By: ER	Date: 10/24/16
Revision:	Date:
Scale: NTS	Sheet: 2

13929 Lynmar Blvd, Tampa, FL 33626
P: 813.343.5979 E: info@fenwalls.com www.fenwalls.com



1 WALL ATTACHMENT @ GUTTER DETAIL
3 SECTION N.T.S.

Architects & Designers: FenWall recommends this note appear in the plan, elevation, section & details of your drawings.

All related materials provided by FenWall. No substitutions without written consent from Store Owner/Architect.

Customer: FEWALL IN-HOUSE

Assembly: CANOPY W/ STEEL OUTRIGGERS

Drawn By: ED

Date: 10/24/16

Revision:

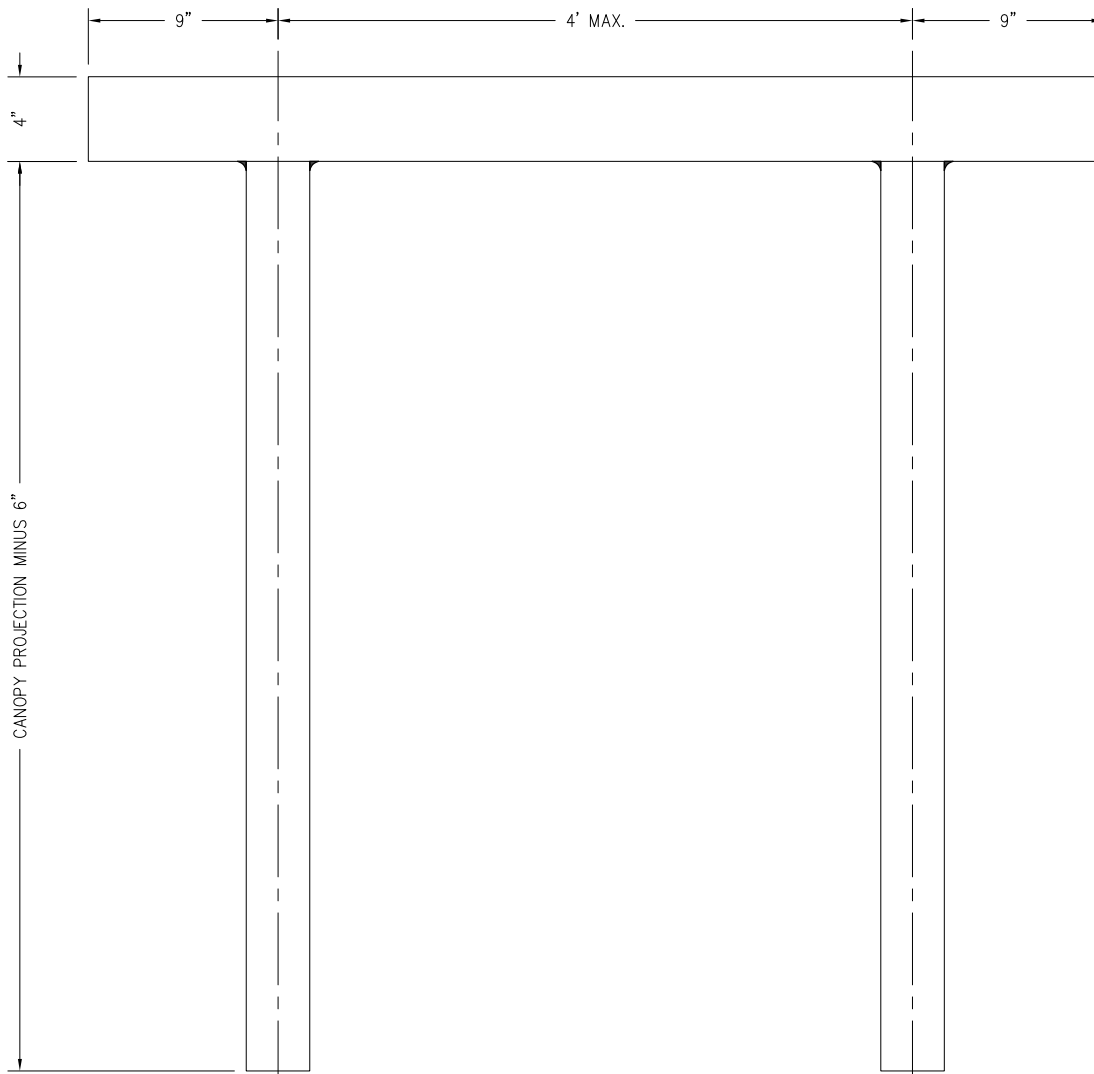
Date:

Scale: NTS

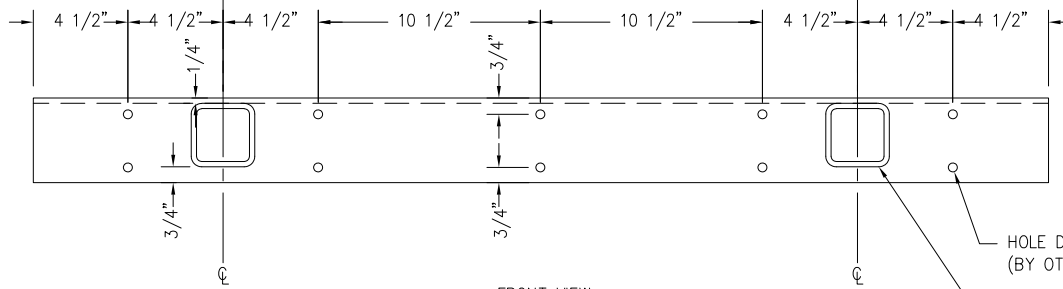
Sheet:3



13929 Lynmar Blvd, Tampa, FL 33626
P: 813.343.5979 E: info@fenwalls.com www.fenwalls.com



PLAN VIEW



FRONT VIEW

HOLE DIAMETER PER FASTENER
(BY OTHERS)

3" x 3" x 1/4" HSS

1 STEEL LAYOUT DETAIL
4 ELEVATION & SECTION N.T.S.

Architects & Designers: FenWall recommends this note appear in the plan, elevation, section & details of your drawings.

All related materials provided by FenWall. No substitutions without written consent from Store Owner/Architect.

Customer: FEWALL IN-HOUSE

Assembly: CANOPY W/ STEEL OUTRIGGERS

Drawn By: ER

Date: 10/24/16

Revision:

Date:

Scale: NTS

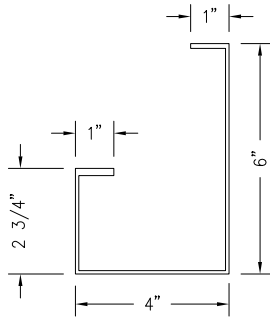
Sheet: 4



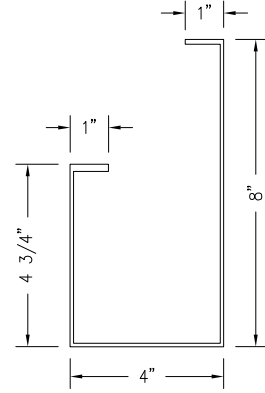
13929 Lynmar Blvd, Tampa, FL 33626
P: 813.343.5979 E: info@fenwalls.com www.fenwalls.com

STANDARD PARTS

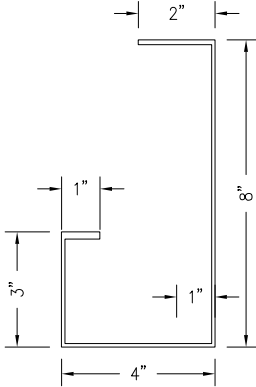
4" x 6" x .093" ALUM G GUTTER EXTRUSION - X53033-24-1000



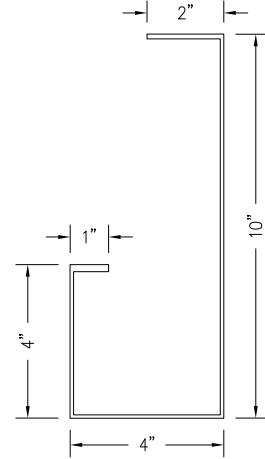
4" x 8" x .125" ALUM G GUTTER EXTRUSION - X53016-24-1000



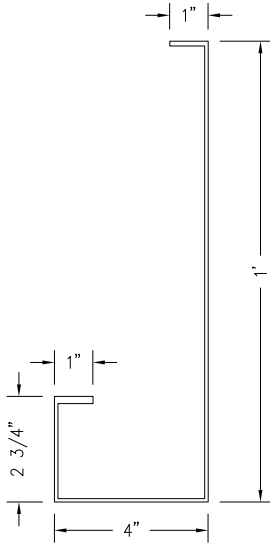
4" x 8" x .125" ALUM G GUTTER EXTRUSION



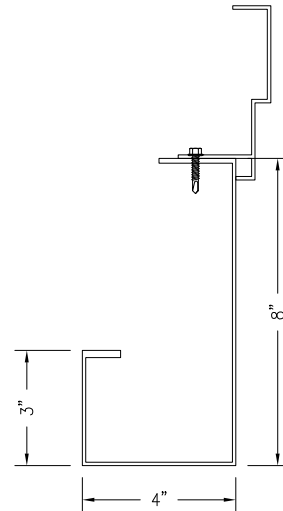
4" x 10" x .125" ALUM G GUTTER EXTRUSION



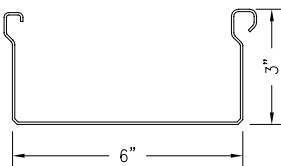
4" x 12" x .160" ALUM G GUTTER EXTRUSION



GUTTER / FASCIA EXTENDER x 24'



3" x 6" x .060" ALUM. SELF MATING PAN EXTRUSION - X53015-24-1000



2" x 2" x 1/4" ALUM. SQR. TUBE EXTRUSION - X11212-24-1000



Architects & Designers: FenWall recommends this note appear in the plan, elevation, section & details of your drawings.

All related materials provided by FenWall. No substitutions without written consent from Store Owner/Architect.

Customer: FEWALL IN-HOUSE

Assembly: CANOPY W/ STEEL OUTRIGGERS

Drawn By: ER

Date: 10/24/16

Revision:

Date:

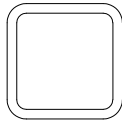
Scale: NTS

Sheet:P1

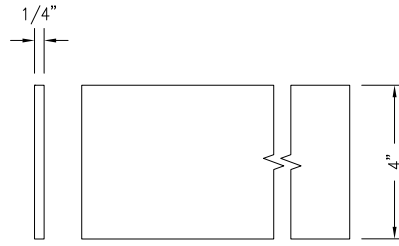
13929 Lynmar Blvd, Tampa, FL 33626
P: 813.343.5979 E: info@fenwalls.com www.fenwalls.com

STANDARD PARTS

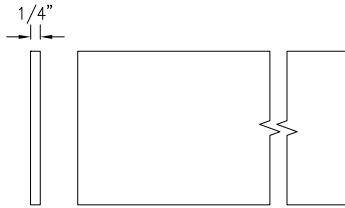
3" x 3" x 1/4" STEEL SUPPORT TUBE - ST3314-24-M



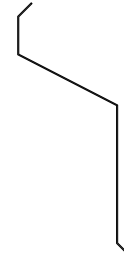
STEEL OUTRIGGER PLATE - SP412-20-M



ALUMINUM ATTACHMENT PLATE - X11366-12-1000



FLASHING - BMF-CF030-2-1000



FLASHING - BMF-CF030-3-1000



METAL SCREWS



#12 - 14 x 1" PHILLIPS DRIVE PAN SS
SELF DRILLING SCREW - FA12141H3DPSS-1

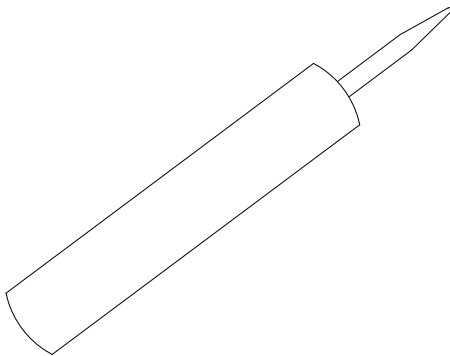


#10 - 16 x 1" UNSLOTTED DRIVE HEX WASHER HEAD
SELF DRILLING SCREW - FA10141H3DPSS-1

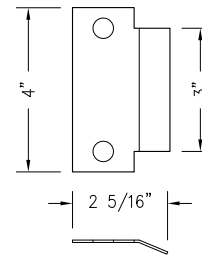


#14 - 14 x 2" - 1/4"-14 x 1" SS HEX HEAD
SELF DRILLING SCREW - FA14D141H3DPSS-1

SEALANT - 10.5 OZ TUBE - SLT-1-105-1



SCUPPER HOLE DRIP EDGE - BM-SHDE1



Architects & Designers: FenWall recommends this note appear in the plan, elevation, section & details of your drawings.

All related materials provided by FenWall. No substitutions without written consent from Store Owner/Architect.

Customer: FEWALL IN-HOUSE

Assembly: CANOPY W/ STEEL OUTRIGGERS

Drawn By: ER

Date: 10/24/16

Revision:

Date:

Scale: NTS

Sheet: OP1



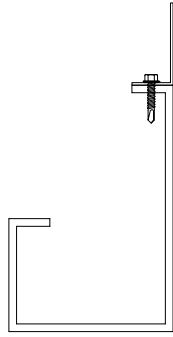
13929 Lynmar Blvd, Tampa, FL 33626
P: 813.343.5979 E: info@fenwalls.com www.fenwalls.com

OPTIONAL PARTS

FASCIA EXTENSION ANGLE

AVAILABLE EXTRUSIONS

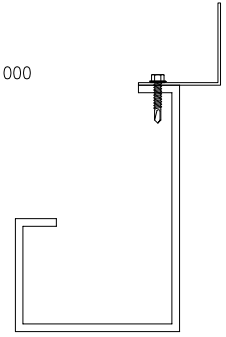
- 1" x 1" x 1/16" - X13220-20-1000
- 1" x 2" x 1/16" - X13365-20-1000
- 1" x 3" x 1/8" - X13375-20-1000
- 1-1/2" x 1-1/2" x 1/16" - X13270-20-1000
- 1-1/4" x 3-1/2" x 1/8" - X13393-16-1000
- 2" x 4" x 1/8" - X13395-20-1000
- 2" x 5" x 1/8" - X13405-20-1000



FASCIA EXTENSION ANGLE

AVAILABLE EXTRUSIONS

- 1" x 1-1/2" x 1/8" - X13269-20-1000
- 1-1/2" x 1-1/2" x 1/16" - X13270-20-1000
- 1" x 2" x 1/16" - X13365-20-1000
- 1" x 3" x 1/8" - X13375-20-1000
- 1-1/4" x 3-1/2" x 1/8" (PART#)
- 2" x 2" x 1/16" (PART #)
- 2" x 4" x 1/8" - X13395-20-1000
- 2" x 5" x 1/8" - X13405-20-1000
- 3" x 3" x 1/8" (PART #)



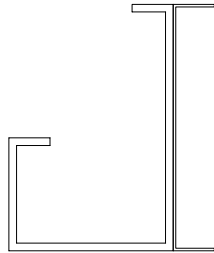
FASCIA EXTENSION CHANNEL

AVAILABLE EXTRUSIONS

- 2-1/2" x 6" x .290"/.170" - X11540-25-1000

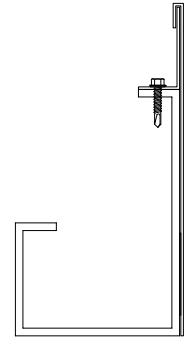
AVAILABLE BREAK METAL

- 1-1/2" x 6" x 1/16" - BM2126116-10-1000
- 1-1/2" x 8" x 1/16" - BM1128116-10-1000



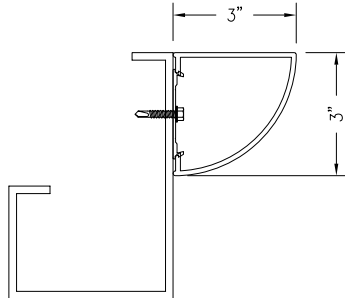
FASCIA CLADDING

AVAILABLE IN MANY FINISHES
AND COLORS



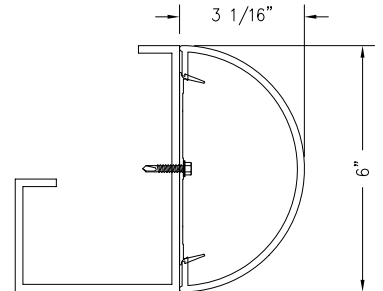
FASCIA TRIM PACKAGE F1

- 3" METAL QUARTER ROUND - SM110286-12-1000
- BASE - SM410540-12-1000



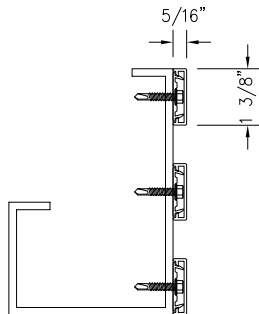
FASCIA TRIM PACKAGE F2

- METAL HALF ROUND - SM110212-12-1000
- BASE - SM412002-12-1000



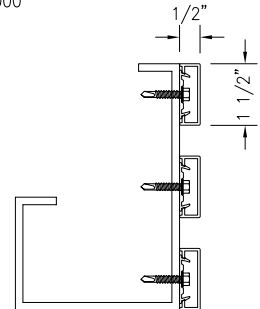
FASCIA TRIM PACKAGE F3

- (3) METAL STRIPS - SM110223-12-1000
- BASE - SM410443-12-1000



FASCIA TRIM PACKAGE F4

- (3) METAL STRIPS PART - SM110225-12-1000
- BASE - SM410443-12-1000



Architects & Designers: FenWall recommends this note appear in the plan, elevation, section & details of your drawings.

All related materials provided by FenWall. No substitutions without written consent from Store Owner/Architect.

Customer: FEWALL IN-HOUSE

Assembly: CANOPY W/ STEEL OUTRIGGERS

Drawn By: ER

Date: 10/24/16

Revision:

Date:

Scale: NTS

Sheet: OP1

FenWall

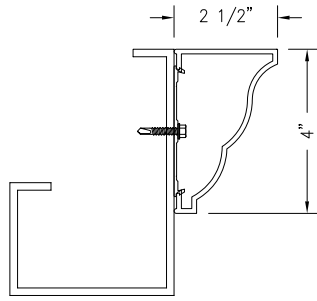
FABRICATION & MANUFACTURING

13929 Lynmar Blvd, Tampa, FL 33626
P: 813.343.5979 E: info@fenwalls.com www.fenwalls.com

OPTIONAL PARTS

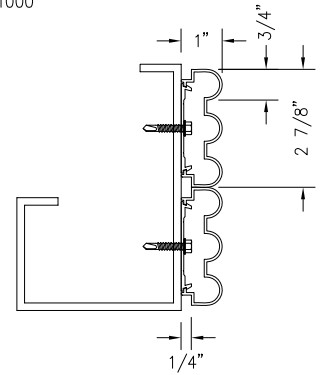
FASCIA TRIM PACKAGE F5

4" METAL CORNICE - SM110214-12-1000
 BASE - SM410458-12-1000



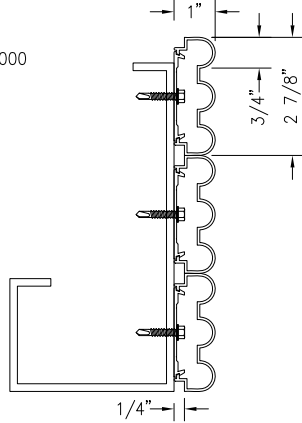
FASCIA TRIM PACKAGE F6

(2) METAL BEADED STRIPS - SM110301-12-1000
 BASE - AP SM410540-12-1000



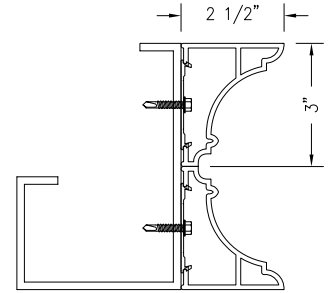
FASCIA TRIM PACKAGE F7

(3) METAL BEADED STRIPS - SM110301-12-1000
 BASE - AP SM410540-12-1000



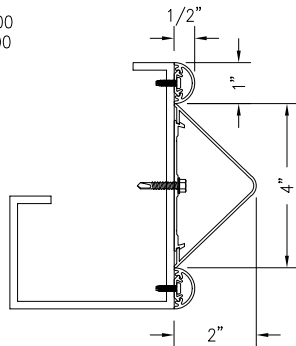
FASCIA TRIM PACKAGE F8

(2) 3" METAL CORNICE PIECES - SM110383-12-1000
 BASE - SM410540-12-1000



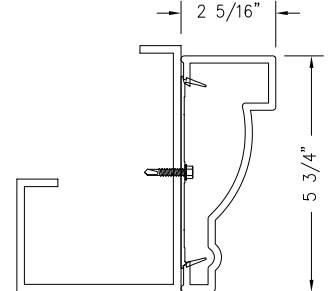
FASCIA TRIM PACKAGE F9

4" METAL TRIANGLE - SM110416-12-1000
 BASE - SM410458-12-1000
 (2) 1" METAL HALF ROUNDS - SM110328-12-1000
 BASE - SM411331-12-1000

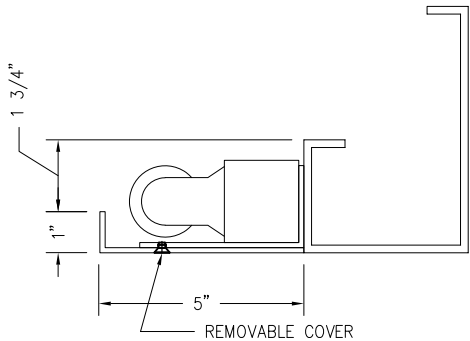


FASCIA TRIM PACKAGE F10

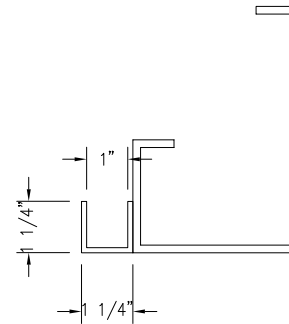
5-3/4" METAL CORNICE - SM110465-12-1000
 BASE - SM412002-12-1000



LIGHT VALANCE LV1 (1-4 SIDES) - LV-100-20-1000



LIGHT VALANCE LV2 (1-4 SIDES) - LV-101-20-1000



Architects & Designers: FenWall recommends this note appear in the plan, elevation, section & details of your drawings.

All related materials provided by FenWall. No substitutions without written consent from Store Owner/Architect.

Customer: FEWALL IN-HOUSE

Assembly: CANOPY W/ STEEL OUTRIGGERS

Drawn By: ER

Date: 10/24/16

Revision:

Date:

Scale: NTS

Sheet: OP2

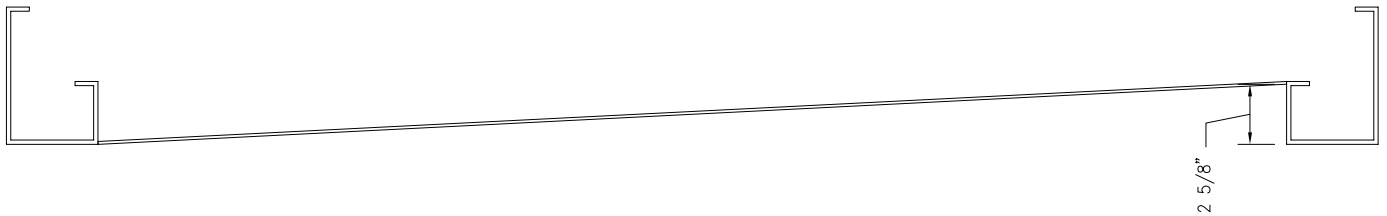
FenWall
 FABRICATION & MANUFACTURING
 13929 Lynmar Blvd, Tampa, FL 33626
 P: 813.343.5979 E: info@fenwalls.com www.fenwalls.com

OPTIONAL PARTS

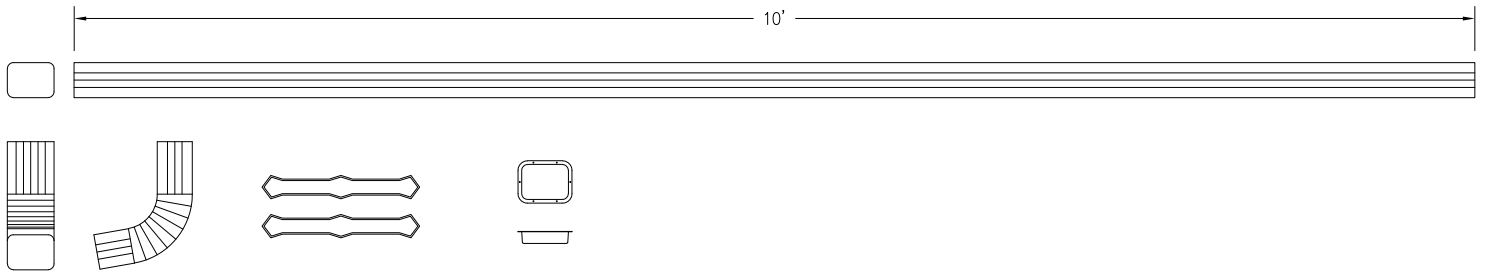
METAL BOTTOM DECK - CD-181-1000



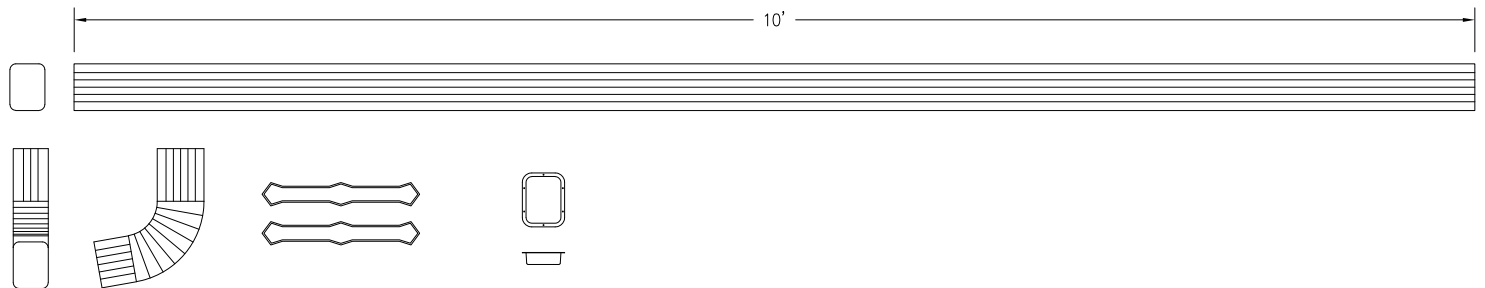
SLOPED METAL BOTTOM DECK (FOR USE W/ LIGHTING VALANCE OPTION) - CD-181-1000



METAL DOWNSPOUT KIT TYPE A - (1) 3" x 4" LEADER, (1) GUTTER OUTLET, (1) ELBOW, (2) STRAPS - R-MDK34A-W



METAL DOWNSPOUT KIT TYPE B - (1) 3" x 4" LEADER, (1) GUTTER OUTLET, (1) ELBOW, (2) STRAPS - R-MDK34B-W



Architects & Designers: FenWall recommends this note appear in the plan, elevation, section & details of your drawings.

All related materials provided by FenWall. No substitutions without written consent from Store Owner/Architect.

Customer: FEWALL IN-HOUSE

Assembly: CANOPY W/ STEEL OUTRIGGERS

Drawn By: ER

Date: 10/24/16

Revision:

Date:

Scale: NTS

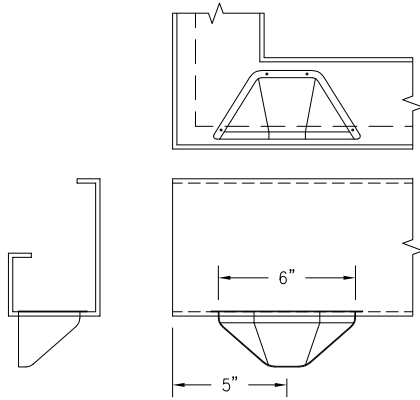
Sheet: OP3



13929 Lynmar Blvd, Tampa, FL 33626
P: 813.343.5979 E: info@fenwalls.com www.fenwalls.com

OPTIONAL PARTS

GUTTER SCUPPER - R-GS6-W



NOT USED

NOT USED

NOT USED

NOT USED

NOT USED

NOT USED

NOT USED

Architects & Designers: FenWall recommends this note appear in the plan, elevation, section & details of your drawings.

All related materials provided by FenWall. No substitutions without written consent from Store Owner/Architect.

Customer: FEWALL IN-HOUSE

Assembly: CANOPY W/ STEEL OUTRIGGERS

Drawn By: ER

Date: 10/24/16

Revision:

Date:

Scale: NTS

Sheet: OP4



13929 Lynmar Blvd, Tampa, FL 33626
P: 813.343.5979 E: info@fenwalls.com www.fenwalls.com