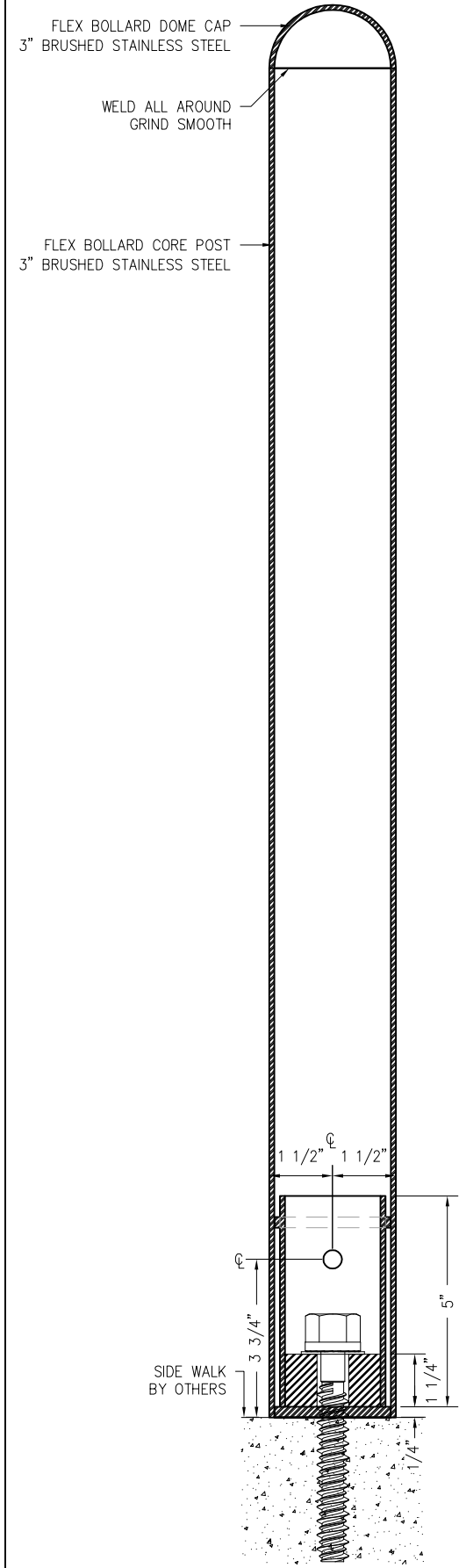
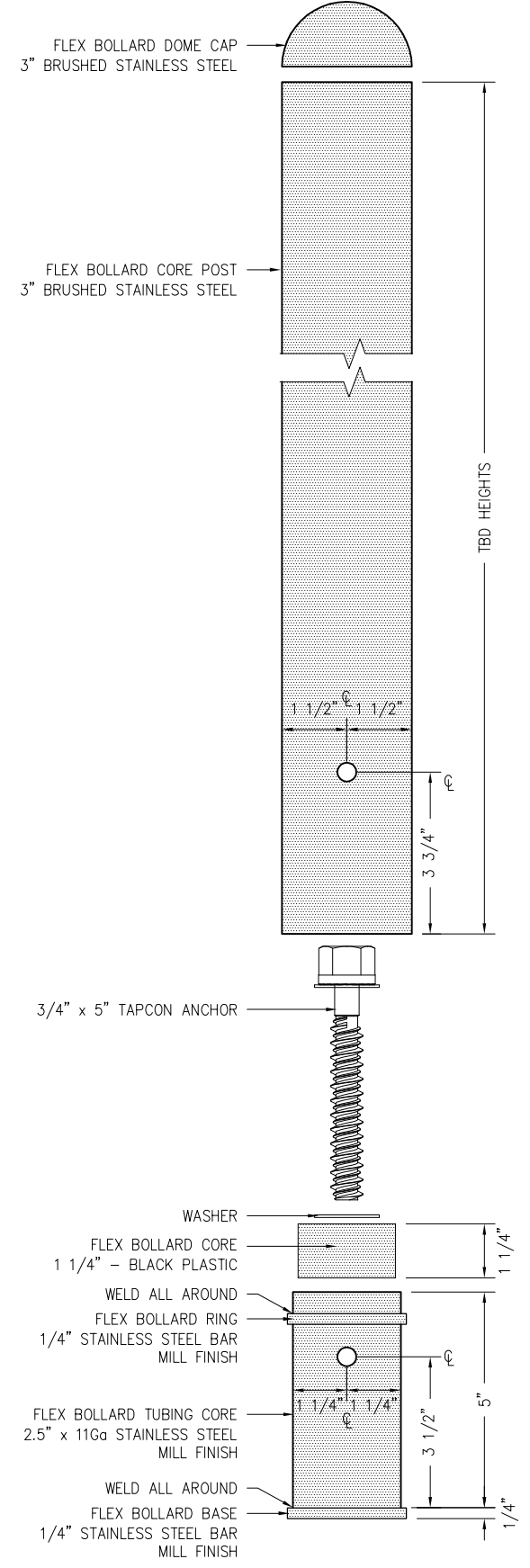


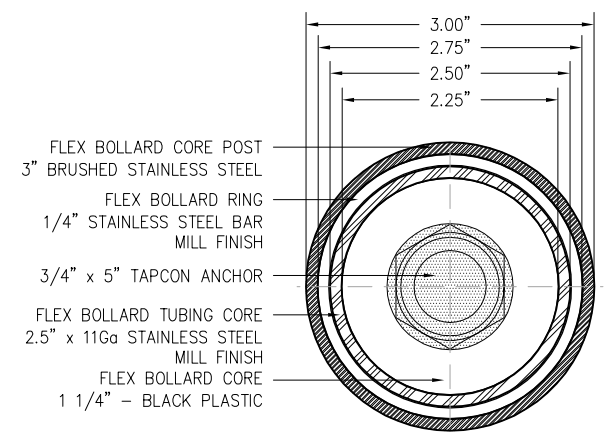
1
1 FLEX BOLLARD
ELEVATION N.T.S.



2
1 FLEX BOLLARD
SECTION N.T.S.



3
1 FLEX BOLLARD
ASSEMBLE N.T.S.



4
1 FLEX BOLLARD DETAIL
PLAN SECTION N.T.S.

These shop drawings remain the property of API/FenWall and contain proprietary, competitive information which if released to any party other than the intended recipient, could cause an undetermined amount of harm to API/FenWall. Any reproduction and distribution of said drawings without the express written consent of API/FenWall is strictly prohibited. Any charge for shop drawings, paid or owed by the intended recipient to API/FenWall is considered a rental charge for the right to utilize said drawings in order to conduct business with API/FenWall.

NOTES:

- ALL DIMENSIONS SHOWN SHALL BE VERIFIED BY CUSTOMER PRIOR TO FABRICATION.

QUANTITY

CUSTOMER APPROVED _____

DATE _____

JOB LOCATION: _____

Customer: FENWALL IN-HOUSE	
Assembly: FLEX BOLLARD	
Drawn By: OD	Date: 05/08/2020
Revision: ...	Date: ...
Scale: NTS	Sheet: 1 OF 1

Architects & Designers: FenWall recommends this note appear in the plan, elevation, section & details of your drawings.
All related materials provided by FenWall. No substitutions without written consent from Store Owner/Architect.