

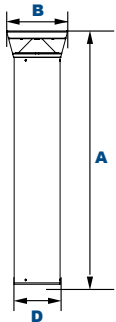
# Round & Square COB Bollards

**L70**  
25°C **106,000 Hours**



**A1C3 - Round COB Bollard (Black)**

**A2C3 - Square COB Bollard (Bronze)**



### Dimensions

<b>Width (B)</b>	9 1/4" (234mm)
<b>Diameter (D)</b>	7" (180mm)
<b>Height (A)</b>	34 3/4" (882mm)

The A1C3 and A2C3 LED Cutoff Bollards with polycarbonate lenses and sealed optical compartments are designed to replace HID lighting systems up to 70w MH or HPS. These fixtures are ideal for retail centers, industrial parks, schools and universities, public transit and airports, office buildings and medical facilities.

### Specifications and Features:

#### Housing:

Extruded Aluminum Housing with Flush Mounting Base & Vandal-Resistant Screws, Flat Top, Internal Driver Tray for Easy Maintenance.

#### Listing & Ratings:

CSA: Listed for Wet Locations, ANSI/UL 1598, 8750  
IP66 Sealed LED Compartment.

#### Finish:

Textured Architectural Bronze or Black Powdercoat Finish Over a Chromate Conversion Coating. Custom Colors Available Upon Request.

#### Reflector:

Reflective White Polycarbonate Cone Reflector

#### Lens:

Clear Polycarbonate Vandal-Resistant Lens

#### Mounting Options:

Mounting Kit with 8" Anchor Bolts, Included.

#### COB LED:

QSSI Cool Copper COB

#### Wattage:

Array: 20w, System: 20w; (70w HID Equivalent)

#### Driver:

Electronic Driver, 120-277V, 50/60Hz; Less Than 20% THD and PF>0.90. Standard Internal Surge Protection 2kV. 0-10V Dimming Standard for a Dimming Range of 100% to 10%; Dimming Source Current is 150 Microamps.

#### Warranty:

5-Year Warranty for -20°C to +40°C Environment.

See Page 2 for Projected Lumen Maintenance Table.

### Order Information Example:

**A1C34X5U41KZSF**

Model	Wattage	Driver	CCT	Color	Height	Options
<b>A1C3</b> =Round COB Bollard <b>A2C3</b> =Square COB Bollard	<b>4X5</b> =20w	<b>U</b> =120-277V	<b>41K</b> =4100K	<b>Z</b> =Bronze <b>B</b> =Black <b>C</b> =Custom (Consult Factory)	<b>(Leave Blank)</b> = 34 3/4" Standard Height <b>30</b> =30" Height	<b>SF</b> =Single Fuse <b>DF</b> =Double Fuse <b>SP</b> =Surge Protection <b>GF1</b> =GFCI Outlet, 15A, 120V

### Project Information:

Project Name: \_\_\_\_\_ Fixture Type: \_\_\_\_\_  
 Complete Catalog #: \_\_\_\_\_ Date: \_\_\_\_\_  
 Comments: \_\_\_\_\_

### Certification & Listings:



Specifications subject to change without notice. Rev. 07/2018

## Accessories & Replacement Parts:



\*Shown Mounted

### Mounting Accessories (Order Separately, Field Installed)

AOLAN4	Mounting Kit, Includes Bracket & Three (3) 4" Anchor Bolts
AOLAN8	Mounting Kit, Includes Bracket & Three (3) 8" Anchor Bolts
AOLAN12	Mounting Kit, Includes Bracket & Three (3) 12" Anchor Bolts
AOLAN15	Mounting Kit, Includes Bracket & Three (3) 15" Anchor Bolts

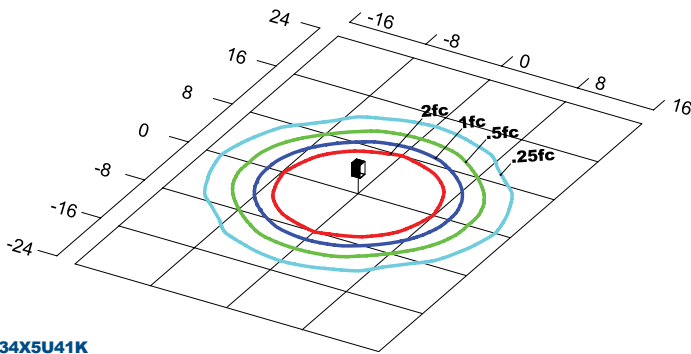
### Replacement Parts (Order Separately, Field Installed)

AOADP1	Adapter Plate with Gaskets for Outlet Boxes. Fits Round Bollards. Die Cast with Bronze Powdercoat Finish.
--------	---

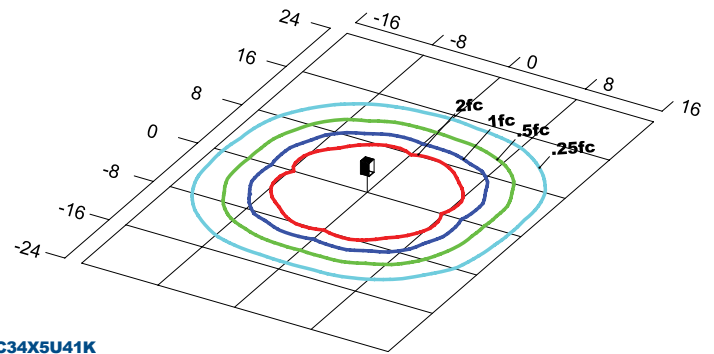
AREBASE\* Bollard Retrofit Base Kit Adapts New Bollards to Most Existing Bolt Patterns. Fits all FenWall Bollards. Die Cast with Powdercoat Finish, Hardware Included. 1 1/2" Dia. x 1 1/2" H

\*Specify Color: Z=Bronze, B=Black, C=Custom (Consult Factory)

## Photometric Data



**A1C34X5U41K**  
Grid in feet, Mounting Height = 3.5 ft.



**A2C34X5U41K**  
Grid in feet, Mounting Height = 3.5 ft.

## Photometric Performance

LED COB Watts	Drive Current (mA)	Input Watts	Bollards	4100 CCT 80 CRI				
				Lumens	LPW	B	U	G
COB LED 20w	350	20	A1 (Round COB Bollard)	2,282	87	1	0	1
			A2 (Square COB Bollard)	2,409	91	1	0	1

## Projected Lumen Maintenance

Data shown for 4100 CCT TM-21-11			Compare to MH			
Input Watts	Initial	25,000 Hrs	50,000 Hrs	100,000 Hrs	Calculated L70@ 25°C	
A1 L70 Lumen Maintenance @ 25°C / 77°F	20	1.00	0.93	0.86	0.72	106,000
A2 L70 Lumen Maintenance @ 25°C / 77°F	20	1.00	0.93	0.86	0.72	106,000
TM-21-11			Calculated L70@ 50°C			
Input Watts	Initial	25,000 Hrs	50,000 Hrs	100,000 Hrs	Calculated L70@ 50°C	
A1 L70 Lumen Maintenance @ 50°C / 122°F	20	1.00	0.91	0.83	0.66	88,000
A2 L70 Lumen Maintenance @ 50°C / 122°F	20	1.00	0.91	0.83	0.66	88,000
TM-21-11			Calculated L80@ 40°C			
Input Watts	Initial	25,000 Hrs	50,000 Hrs	100,000 Hrs	Calculated L80@ 40°C	
A1 L80 Lumen Maintenance @ 40°C / 104°F	20	1.00	0.92	0.84	0.67	61,000
A2 L80 Lumen Maintenance @ 40°C / 104°F	20	1.00	0.92	0.84	0.67	61,000

### NOTES:

1. Projected per IESNA TM-21-11. Data references the extrapolated performance projections for the 350mA base model in a 25°C ambient, based on 10,000 hours of LED testing per IESNA LM-80-08.
2. Compare to MH box indicates suggested Light Loss Factor (LLF) to be used when comparing to Metal Halide (MH) systems.